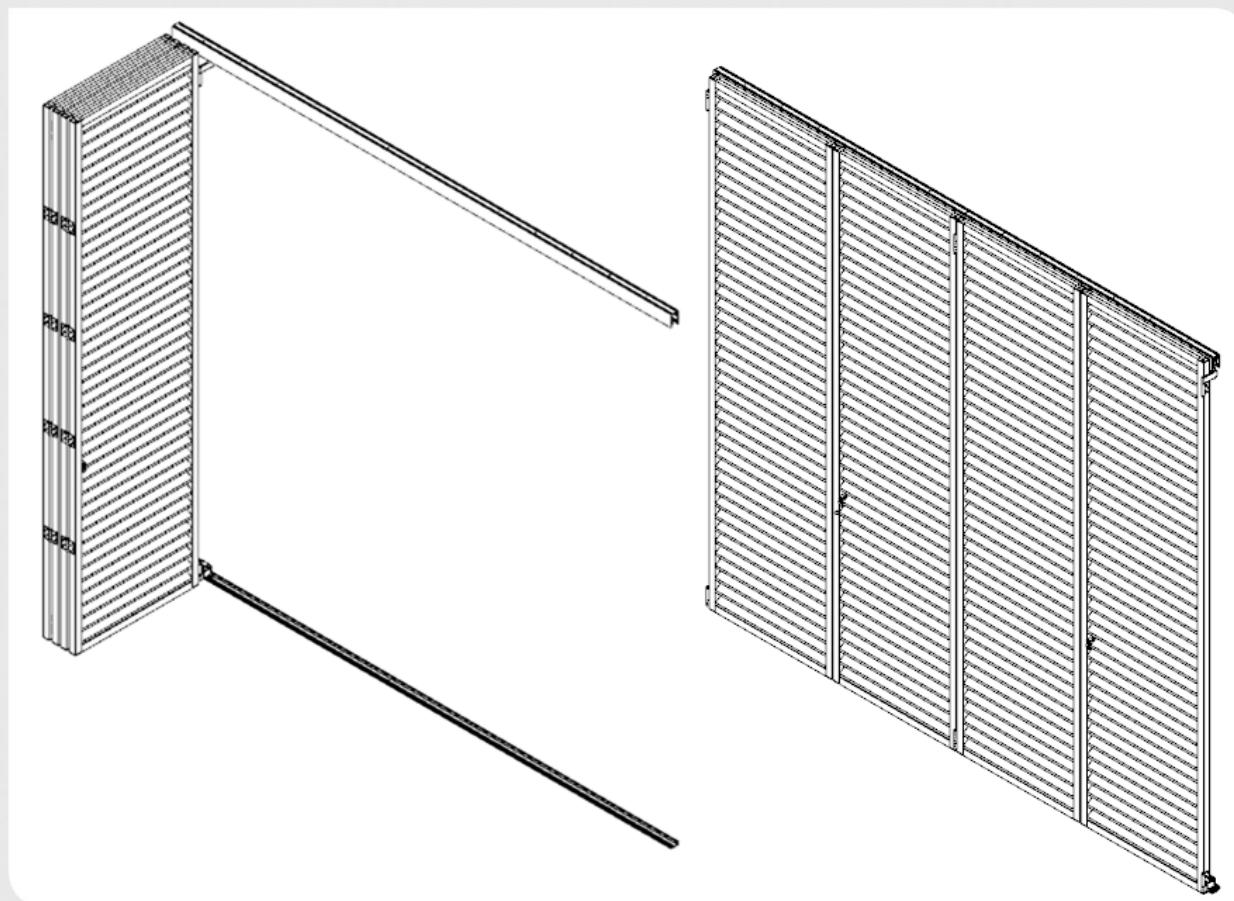


# Fitting Instructions

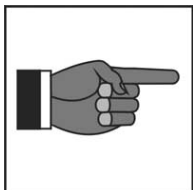
# DucoSlide Bifold & Quadrafold

20/08/2021



## CONTENT

1.	Safety instructions	p. 02
2.	Part list	p. 03
3.	Overview parts – systems	p. 07
4.	Exploded view	p. 14
5.	Installation preparation	p. 15
6.	Installation guiding	p. 16
7.	Bifold installation left	p. 18
8.	Bifold installation right	p. 28
9.	Quadrafold installation left	p. 38
10.	Quadrafold installation right	p. 51
11.	Adjusting lock	p. 64



Remark:

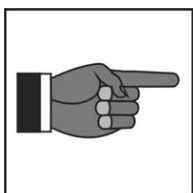
Fitting DucoSlide Quadrafold shutters is a multi-step process. In order to ensure proper operation of the system, fitting should be conducted in the manner and sequence specified.



Risk of Falls

Working on facades can pose a risk of falling.

Fitting personnel needs to be protected from falling or must work on scaffolds erected in a competent and safe manner. Non-observance of this information can cause serious, or even fatal injuries.

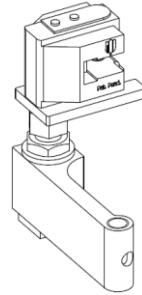


Remark:

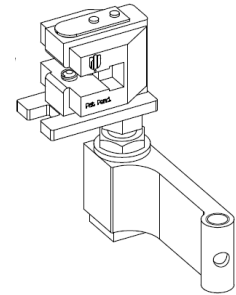
Make sure that the surface on which the top and bottom rails will be mounted is completely flat. Take into account different expansions of different materials. Make the necessary adjustments for this.



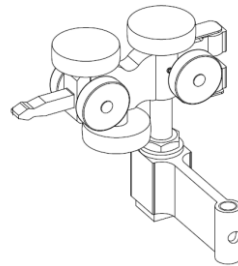
Fixed pivot top left  
G0004602



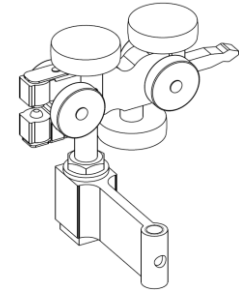
Fixed pivot top right  
G0004603



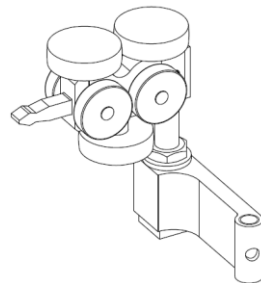
Intermediate roller top left  
G0004605



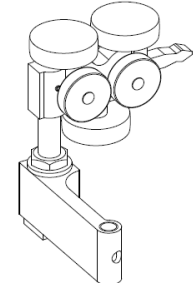
Intermediate roller top right  
G0004604



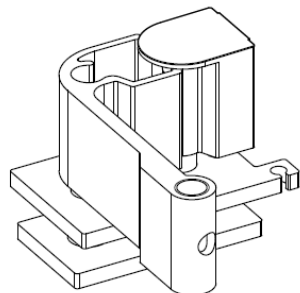
End roller top left  
G0004607



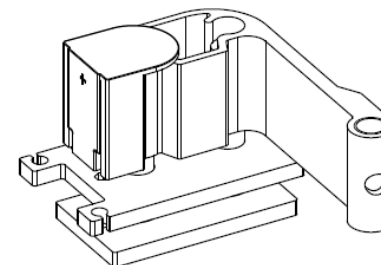
End roller top right  
G0004606



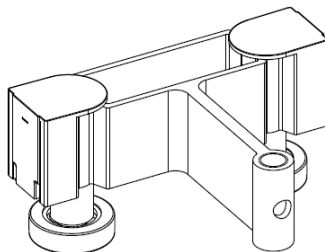
Fixed pivot type 1 bottom  
G0004612



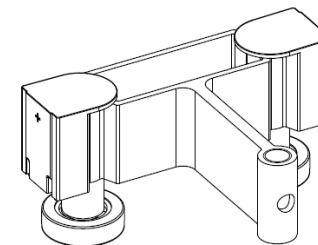
Fixed pivot type 2 bottom  
G0004611



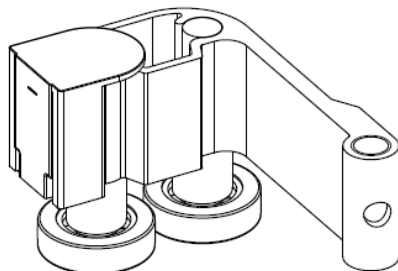
Intermediate roller type 1 bottom  
G0004615



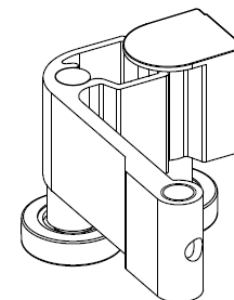
Intermediate roller type 2 bottom  
G0004613



End roller type 1 bottom  
G0004614



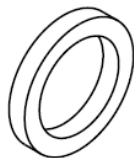
End roller type 2 bottom  
G0004616



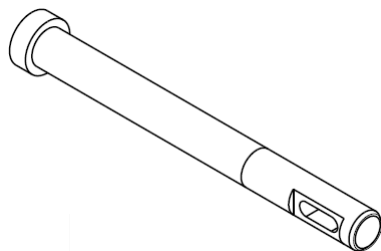
2

Part list

Plastic intermediate ring  
G0004609



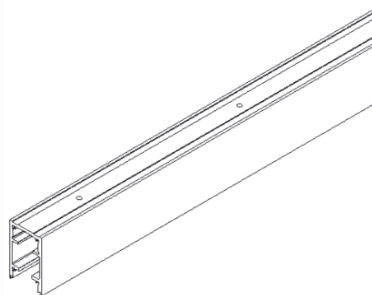
Trolley bolts  
G0004610



Top track

T1402010 | 4m

T1402110 | 6m



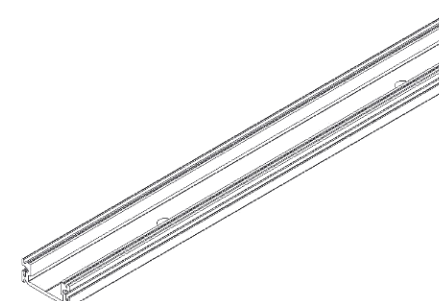
Hinge pin  
G0004608



Bottom track

T1402210 | 4m

T1402310 | 6m



---

Locking bolt  
G0004620

DIN912 M4x12



---

Locking screw pivot  
G000227

DIN7504-M Ø4,8x16



3.1 Bifold left p.08

---

3.2 Bifold right p.09

---

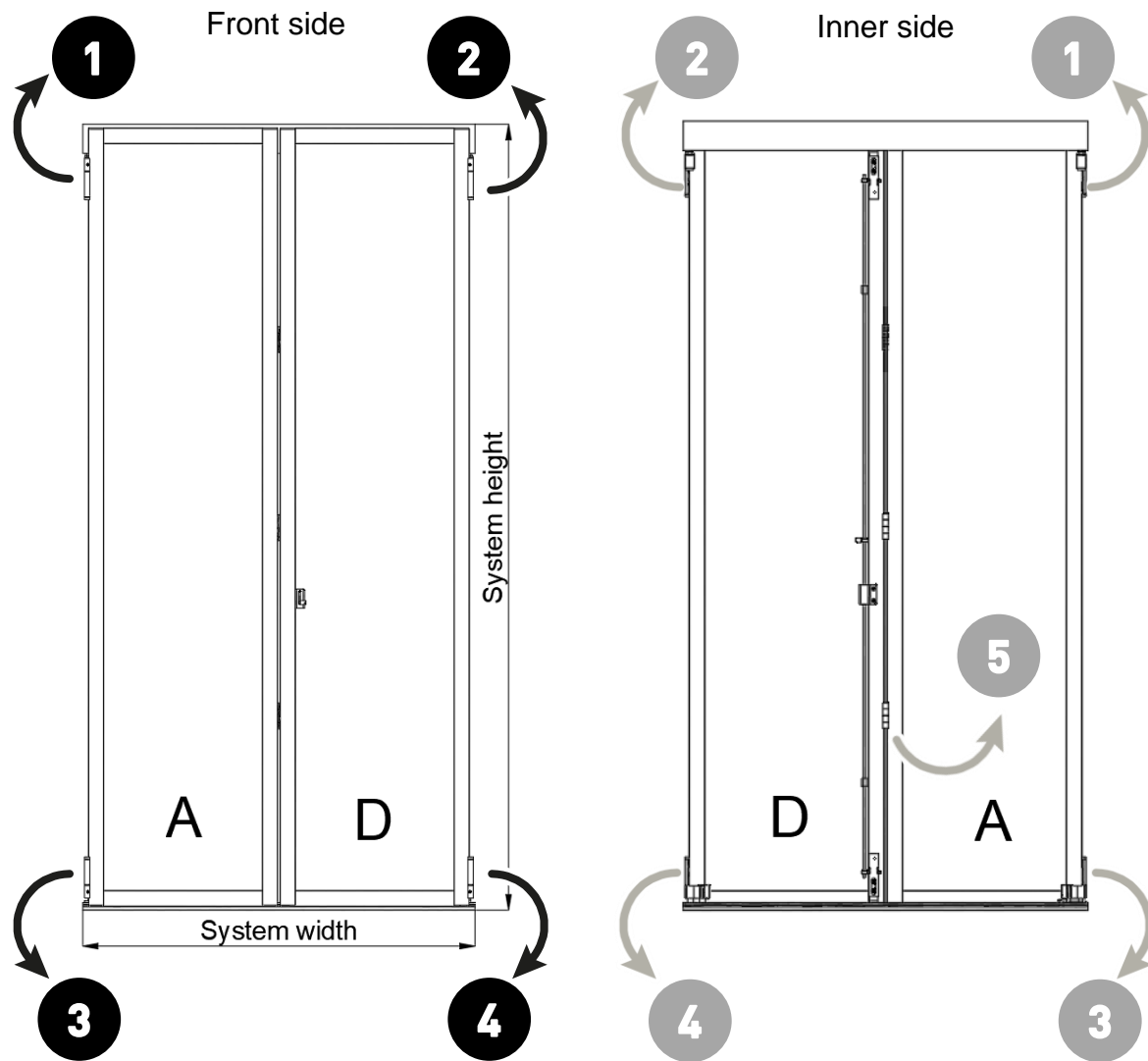
3.3 Quadrafold left p.10

---

3.4 Quadrafold right p.12

---

### 3.1 Overview parts Bifold left

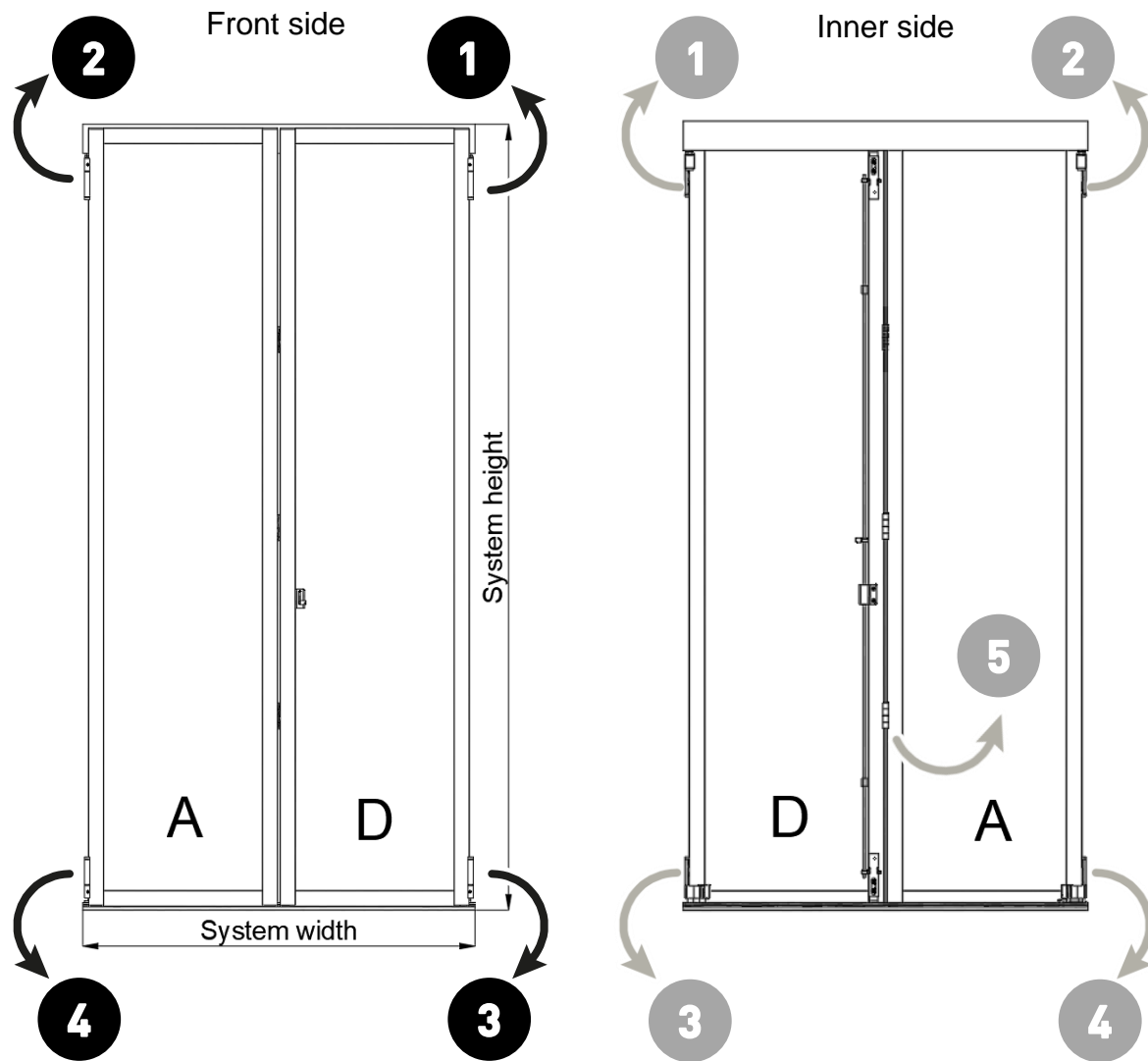


Parts :

G0004602	Fixed pivot top left	1
G0004607	End roller top left	2
G0004612	Fixed pivot type 1 bottom	3
G0004614	End roller type 1 bottom	4
G0004608	Hinge pin	5



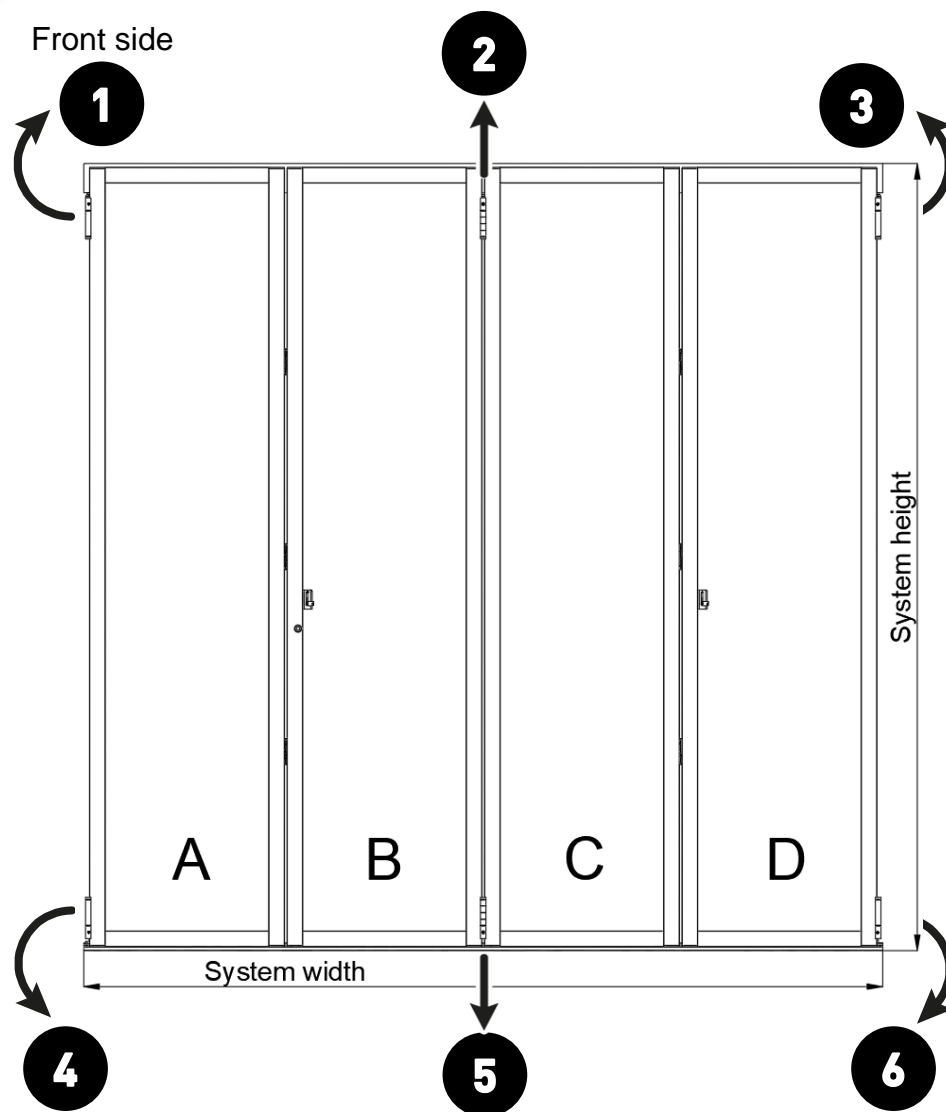
### 3.2 Overview parts Bifold right



Parts :

G0004603	Fixed pivot top right	1
G0004606	End roller top right	2
G0004611	Fixed pivot type 2 bottom	3
G0004616	End roller type 2 bottom	4
G0004608	Hinge pin	5

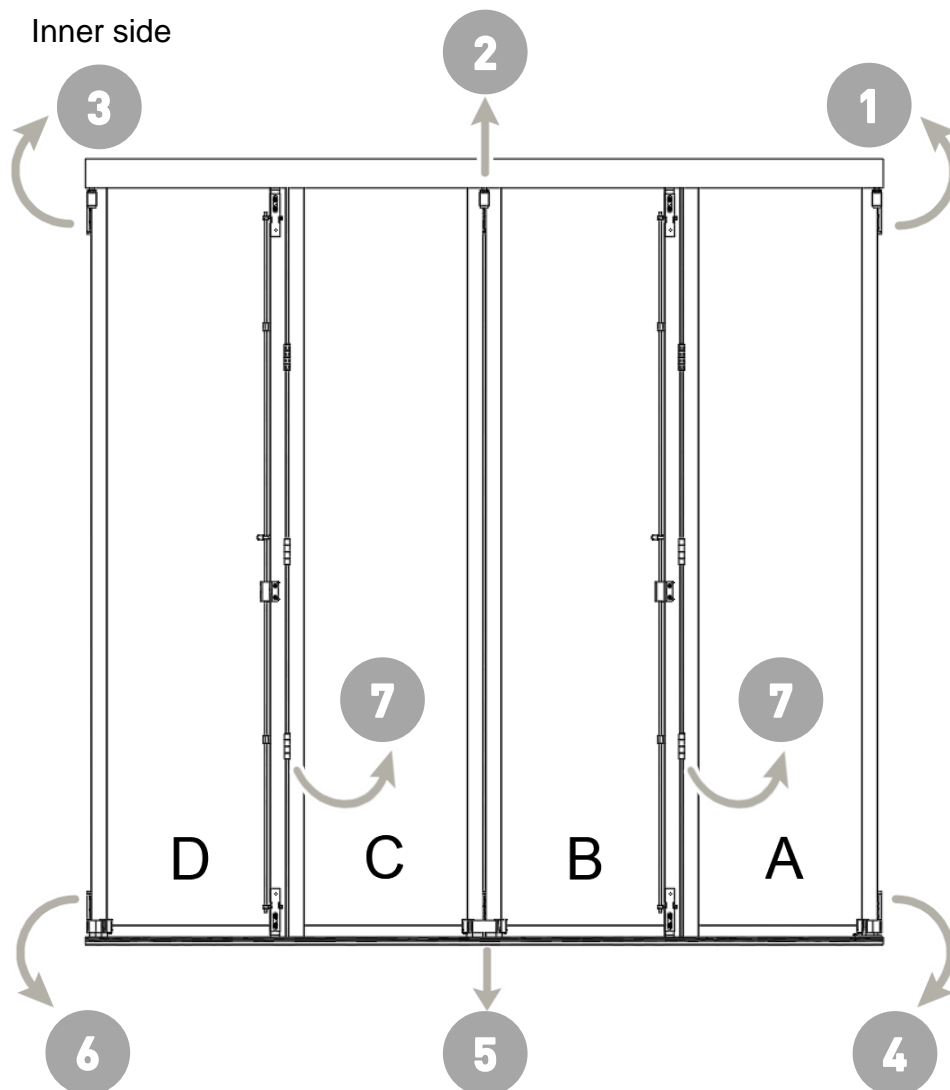
### 3.3 Overview parts Quadrafold left



Parts :

G0004602	Fixed pivot top left	1
G0004605	Intermediate roller top left	2
G0004607	End roller top left	3
G0004612	Fixed pivot type 1 bottom	4
G0004615	Intermediate roller type 1 bottom	5
G0004614	End roller type 1 bottom	6

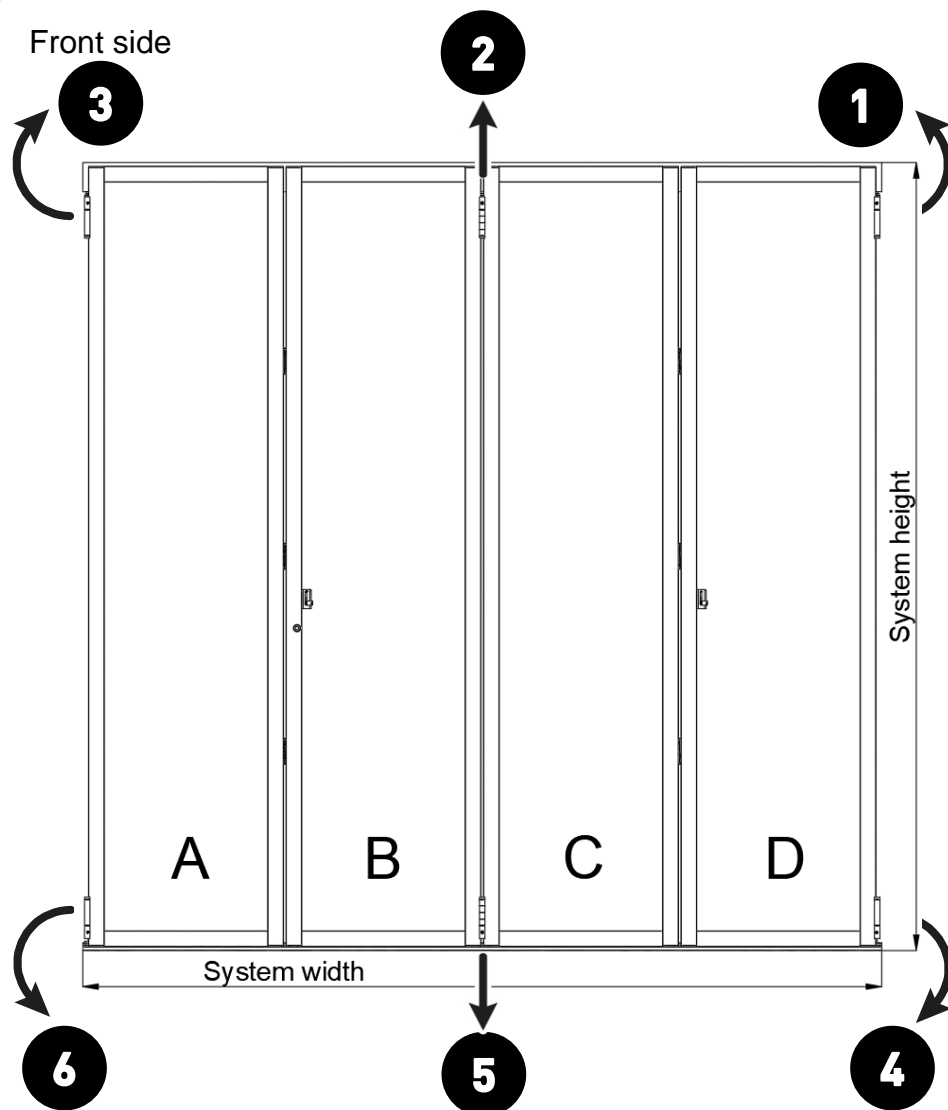
### 3.3 Overview parts Quadrafold left



Parts :

G0004602	Fixed pivot top left	1
G0004605	Intermediate roller top left	2
G0004607	End roller top left	3
G0004612	Fixed pivot type 1 bottom	4
G0004615	Intermediate roller type 1 bottom	5
G0004614	End roller type 1 bottom	6
G0004608	Hinge pin	7

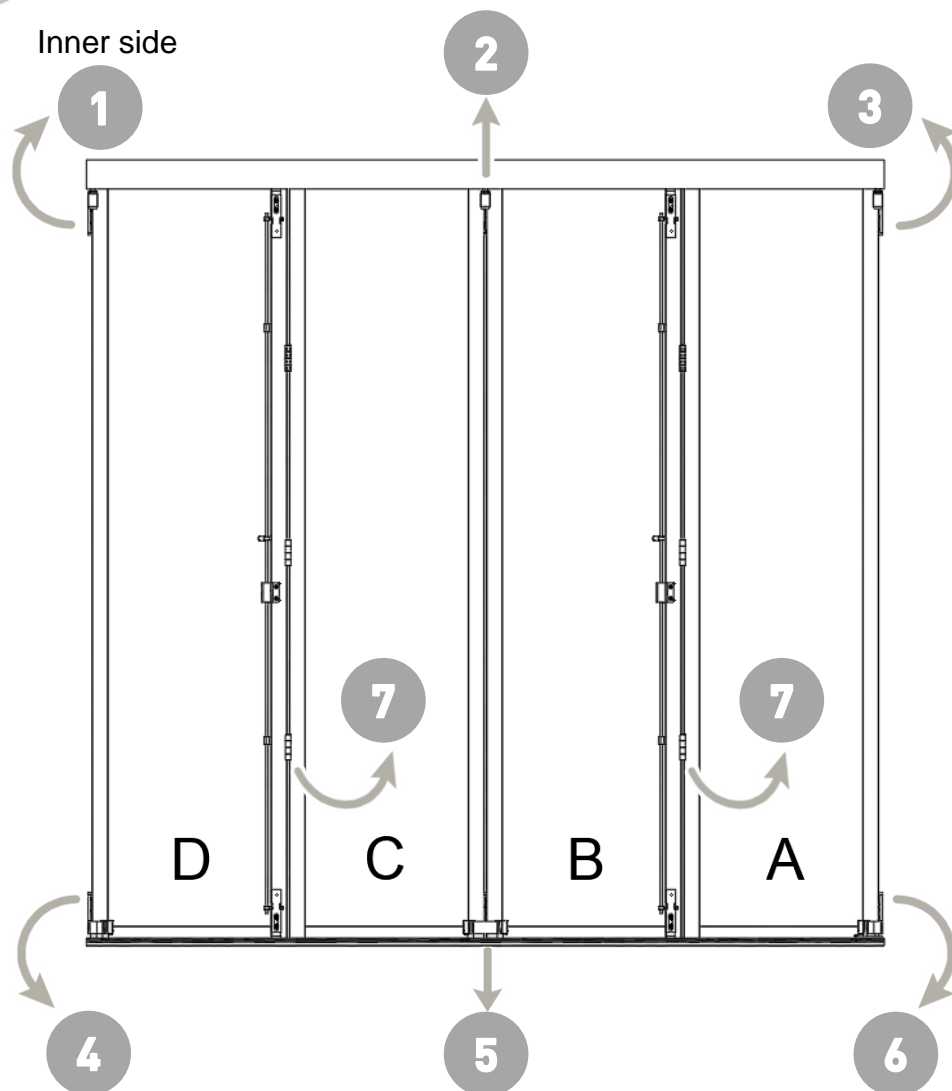
### 3.4 Overview parts Quadrafold right



Parts :

G0004603	Fixed pivot top right	1
G0004604	Intermediate roller top right	2
G0004606	End roller top right	3
G0004611	Fixed pivot type 2 bottom	4
G0004613	Intermediate roller type 2 bottom	5
G0004616	End roller type 2 bottom	6

### 3.4 Overview parts Quadrafold right

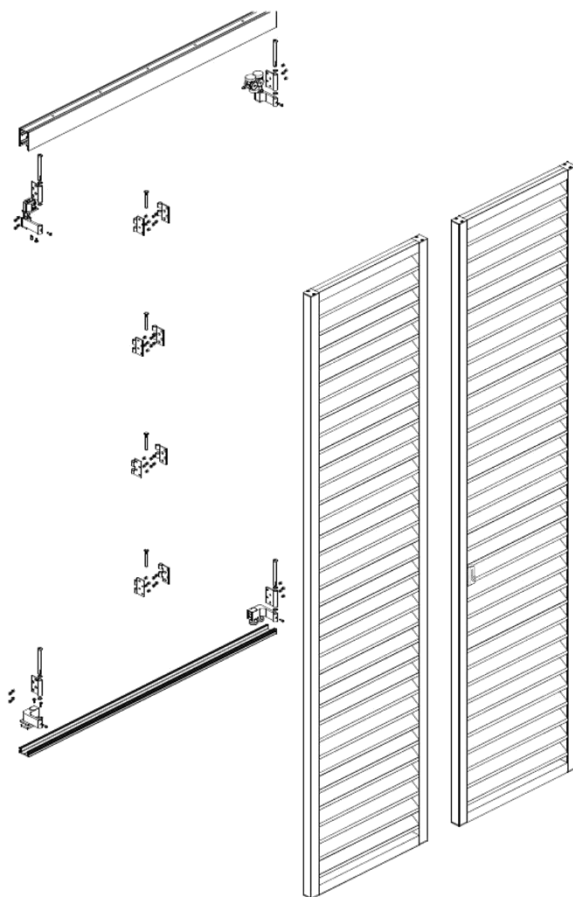


Parts :

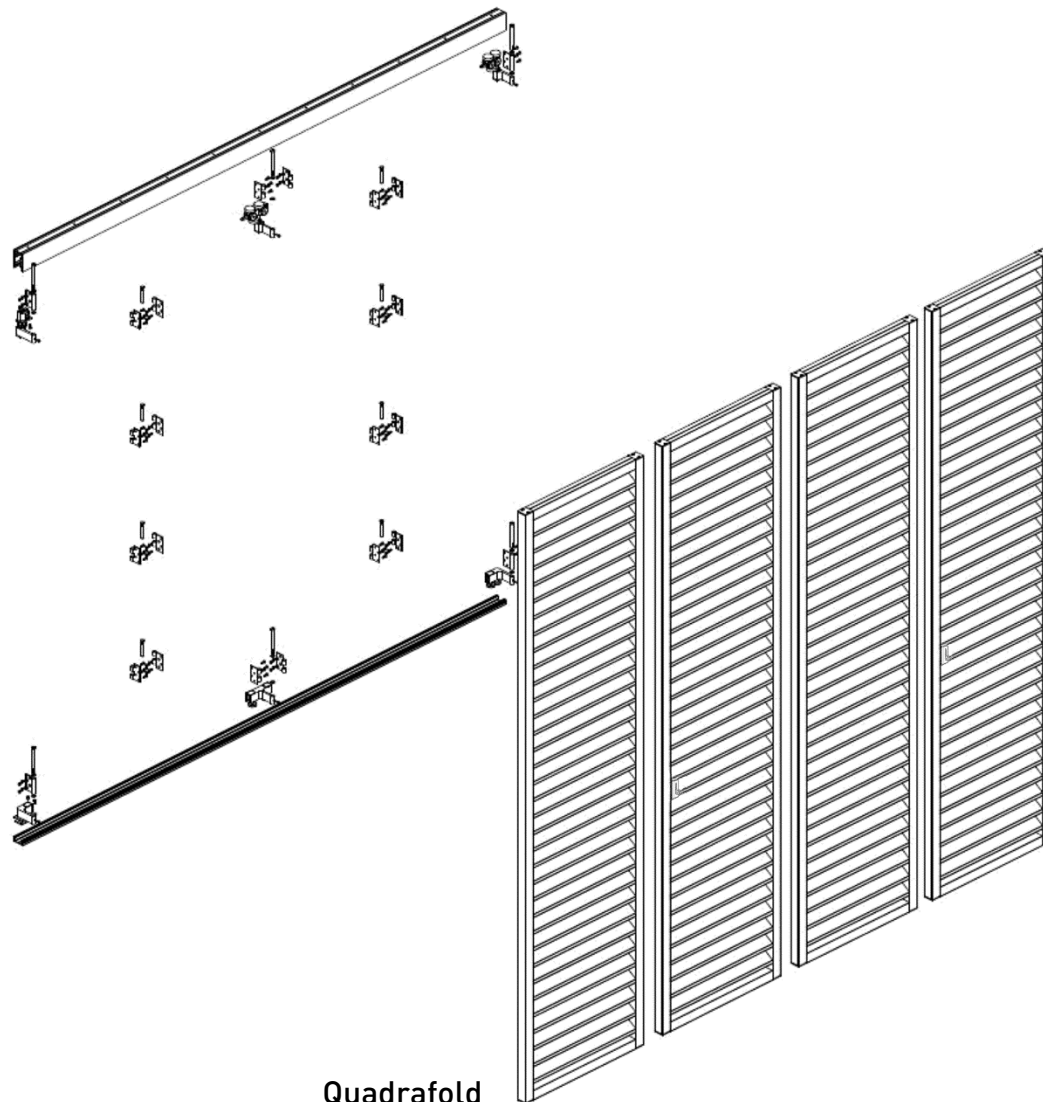
G0004603	Fixed pivot top right	1
G0004604	Intermediate roller top right	2
G0004606	End roller top right	3
G0004611	Fixed pivot type 2 bottom	4
G0004613	Intermediate roller type 2 bottom	5
G0004616	End roller type 2 bottom	6
G0004608	Hinge pin	7

# 4

## Exploded view



Bifold



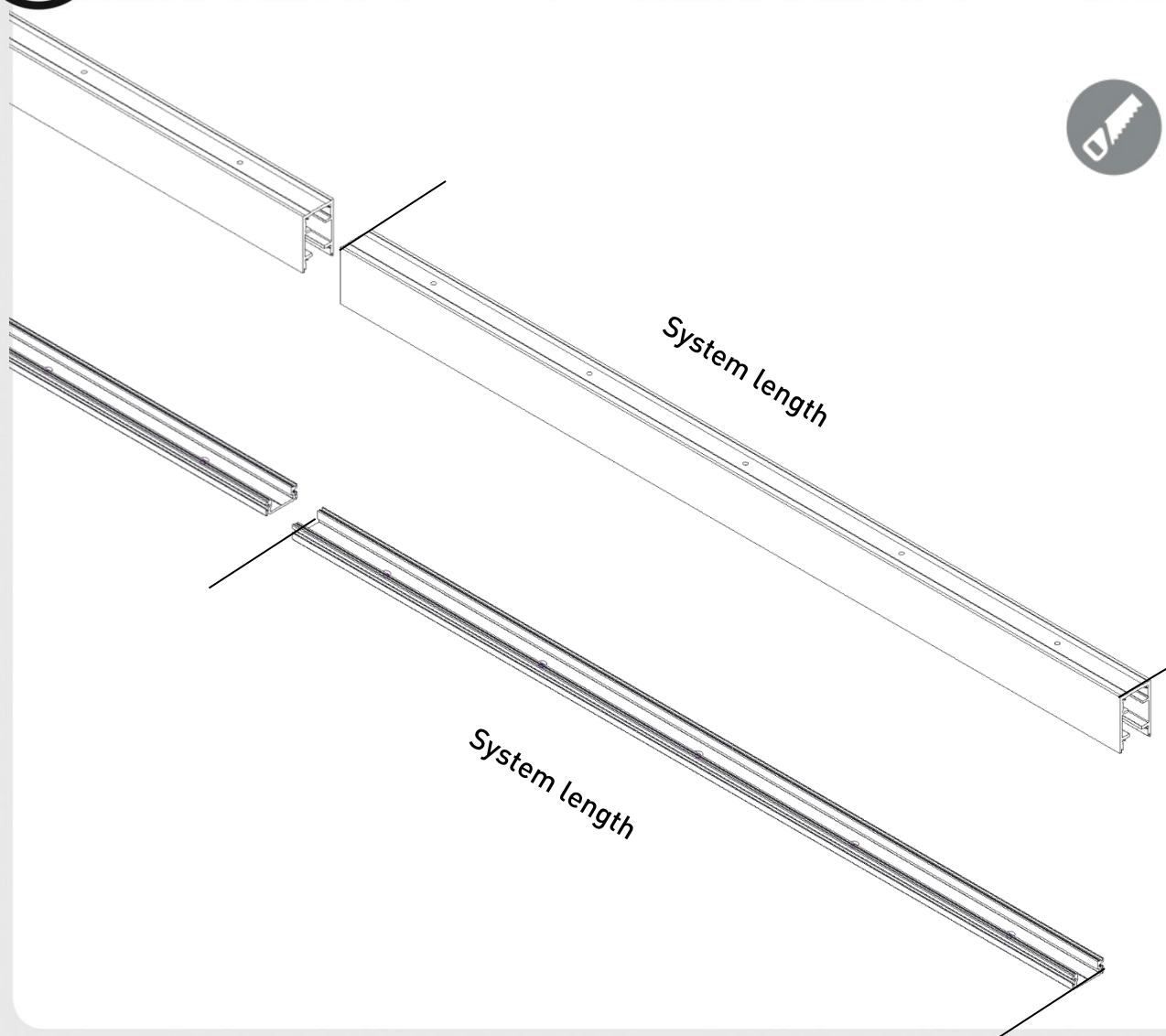
Quadrafold

## 5 Installation preparation



1. To ensure a smooth installation, we advise to put the panels in the correct order together with the relevant hardware, drawings can be found between pages 8 &14
2. At least 2 people are necessary to put the panels into the right position on the track.

## 6 Installation guiding

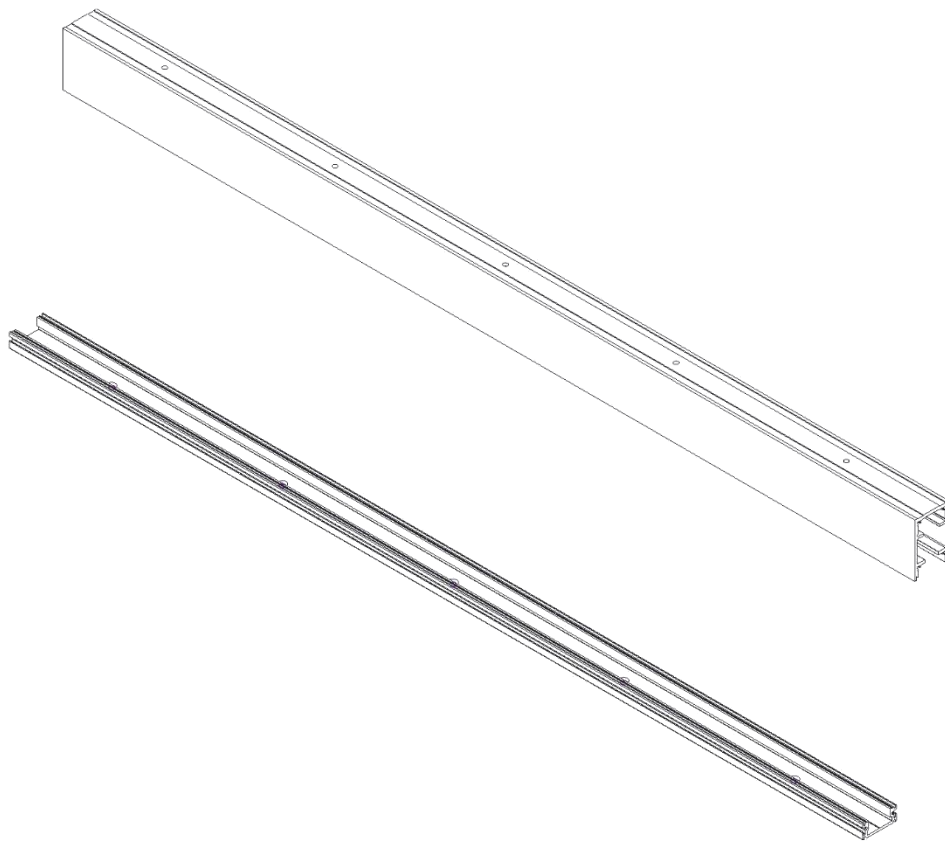


1. Cut the top- and bottom track to the desired length



# 6

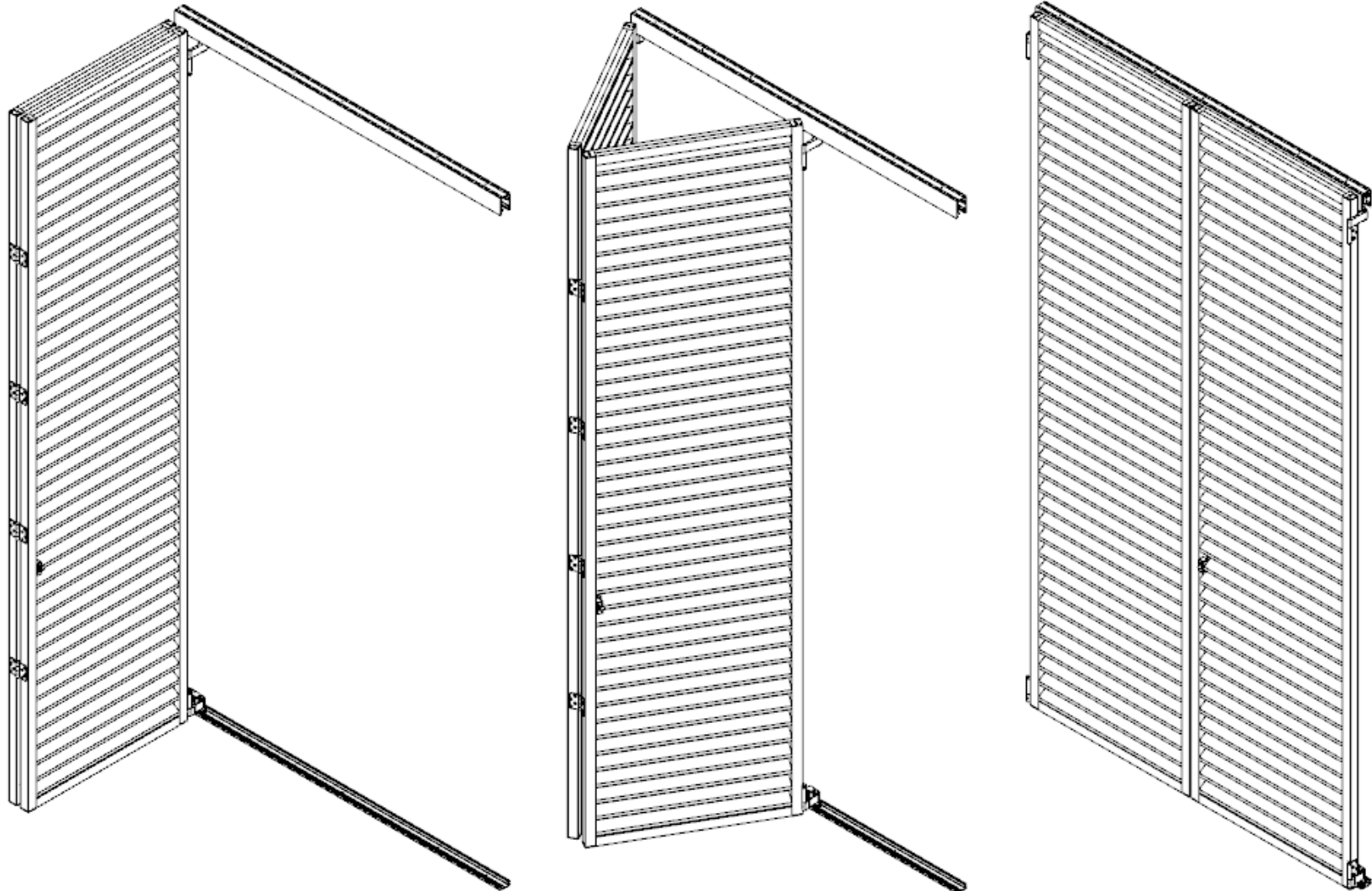
## Installation guiding



2. Clean and degrease the profiles

7

## Bifold installation left

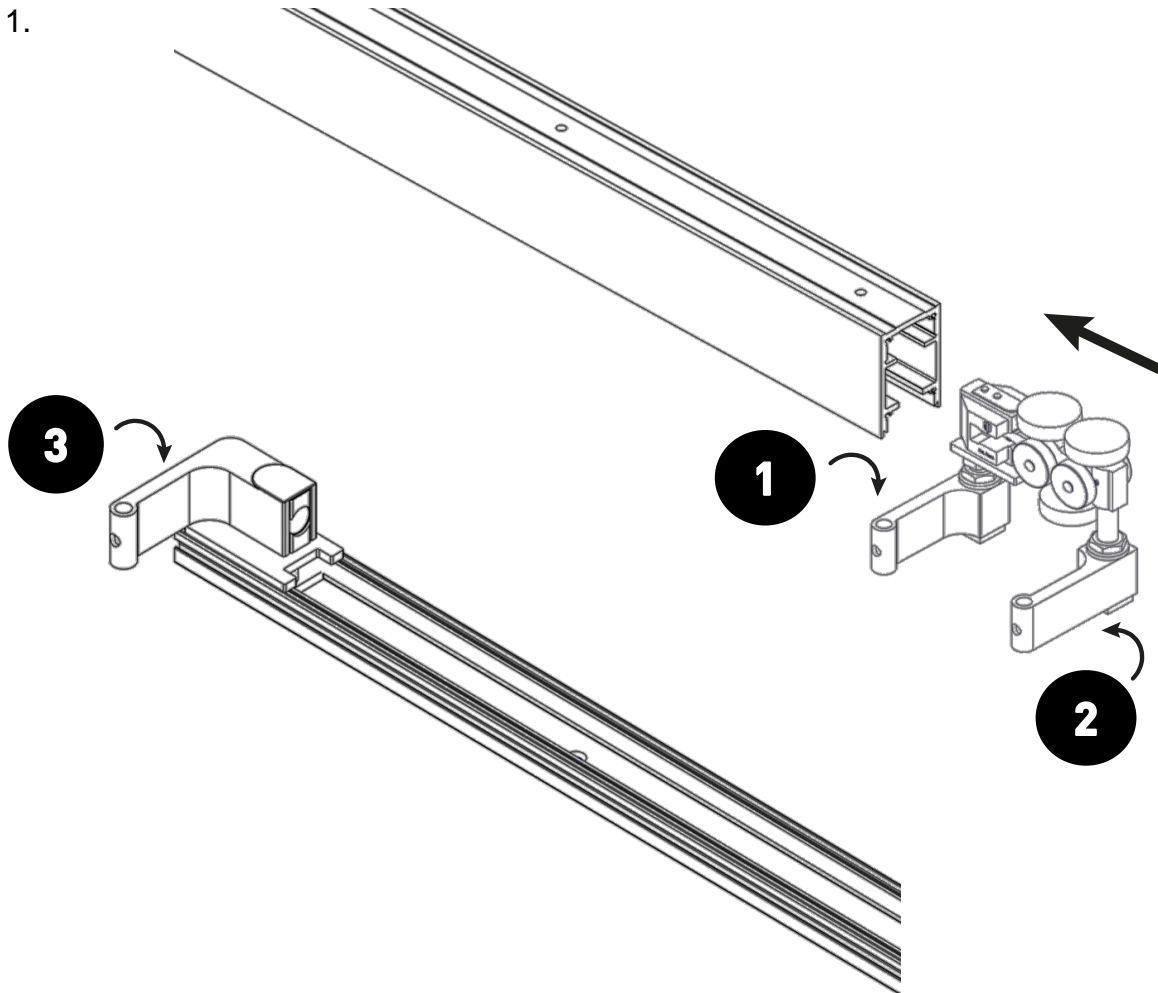


\* LEFT OR RIGHT IS DETERMINED FROM THE OUTSIDE

# 7

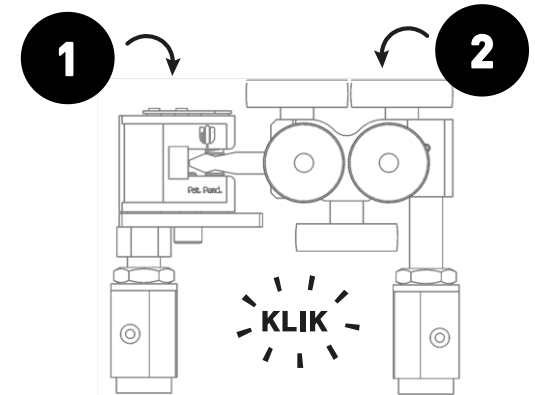
## Bifold installation left

1.



Parts :

G0004602	x1	1
G0004607	x1	2
G0004612	x1	3



# 7

## Bifold installation left

2.



Fit the top and bottom track into the same area with a crossline laser, check the spacing in between



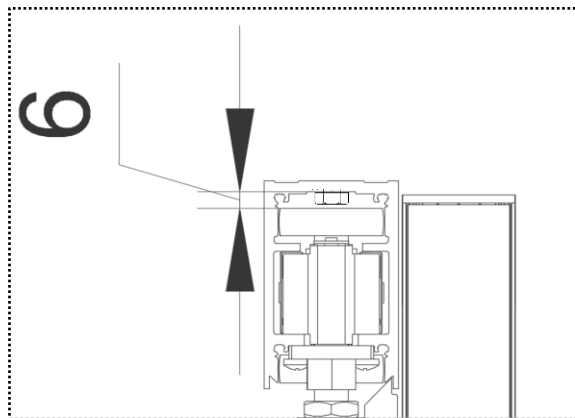
Use all holes in the top/bottom track to fix them into the ceiling or floor. Type of screws to be determined by the installer, depending on the ground.



Attention: the trolley on top rolls on 6mm of the upper side of the track, make sure the installation doesn't block this movement



Attention: There is no possibility to adjust the height of the system. Make sure the distance is exactly as specified when ordering the system.



# 7

## Bifold installation left

3. Screw fixed pivots to rail



Parts :

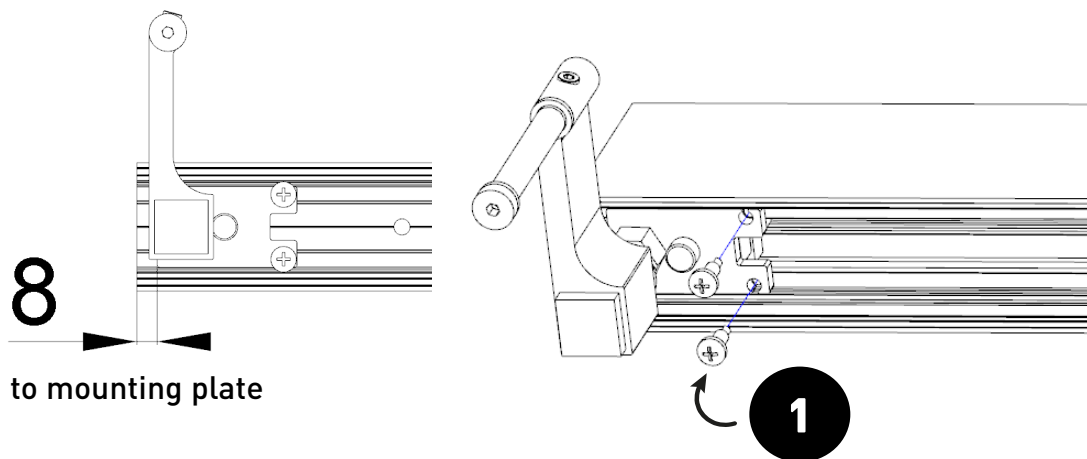
G0000227	x4	1
----------	----	---



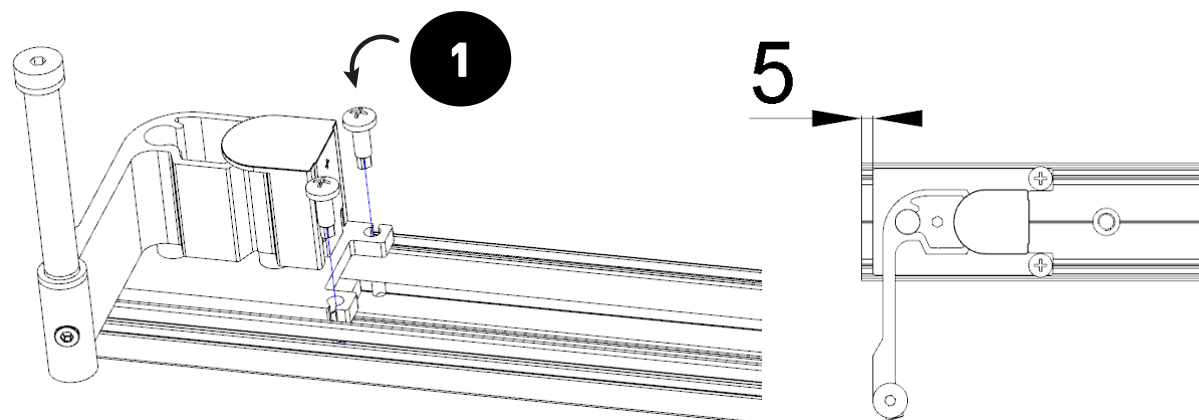
First pre-drill with  $\varnothing 4$  mm through the holes of the mounting plate



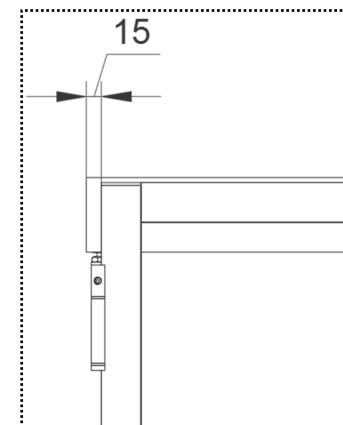
**Attention:**  
Fix the pivots at the indicated distance from the rail (panel 15mm from rail end)



8  
to mounting plate



5



# 7

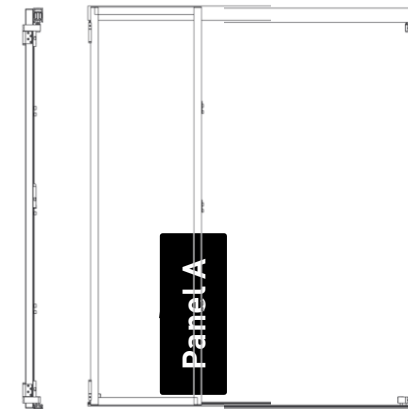
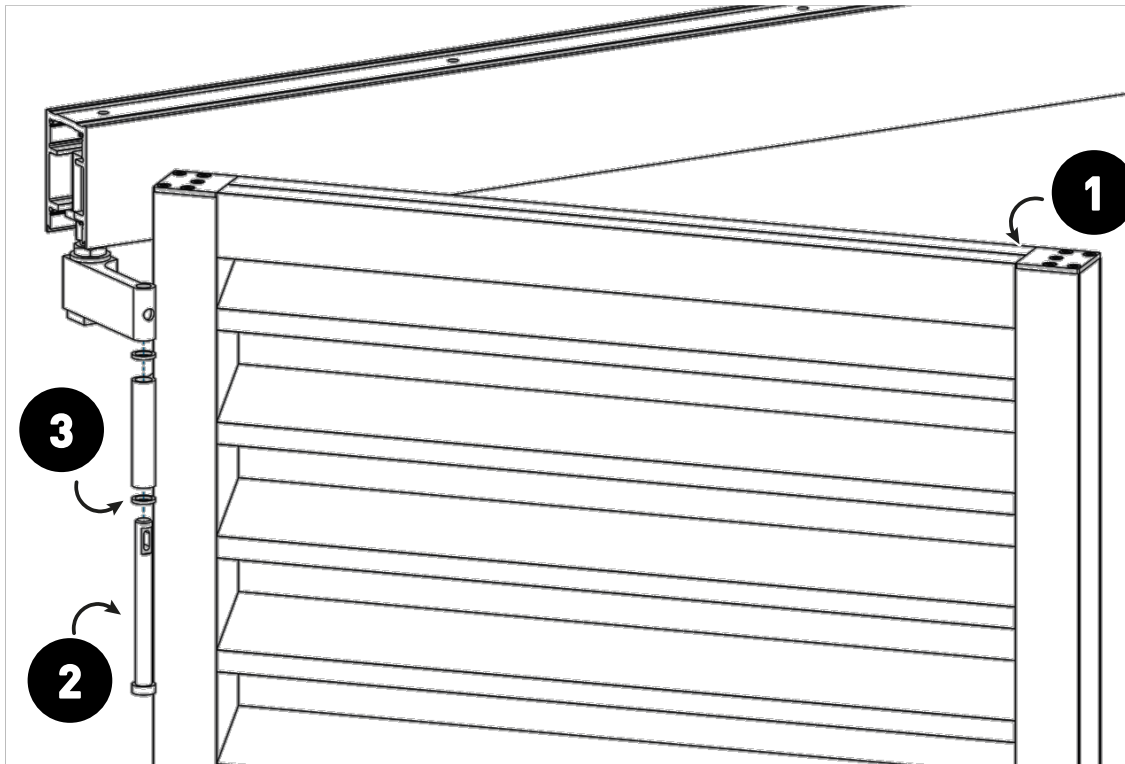
## Bifold installation left

4.



Parts :

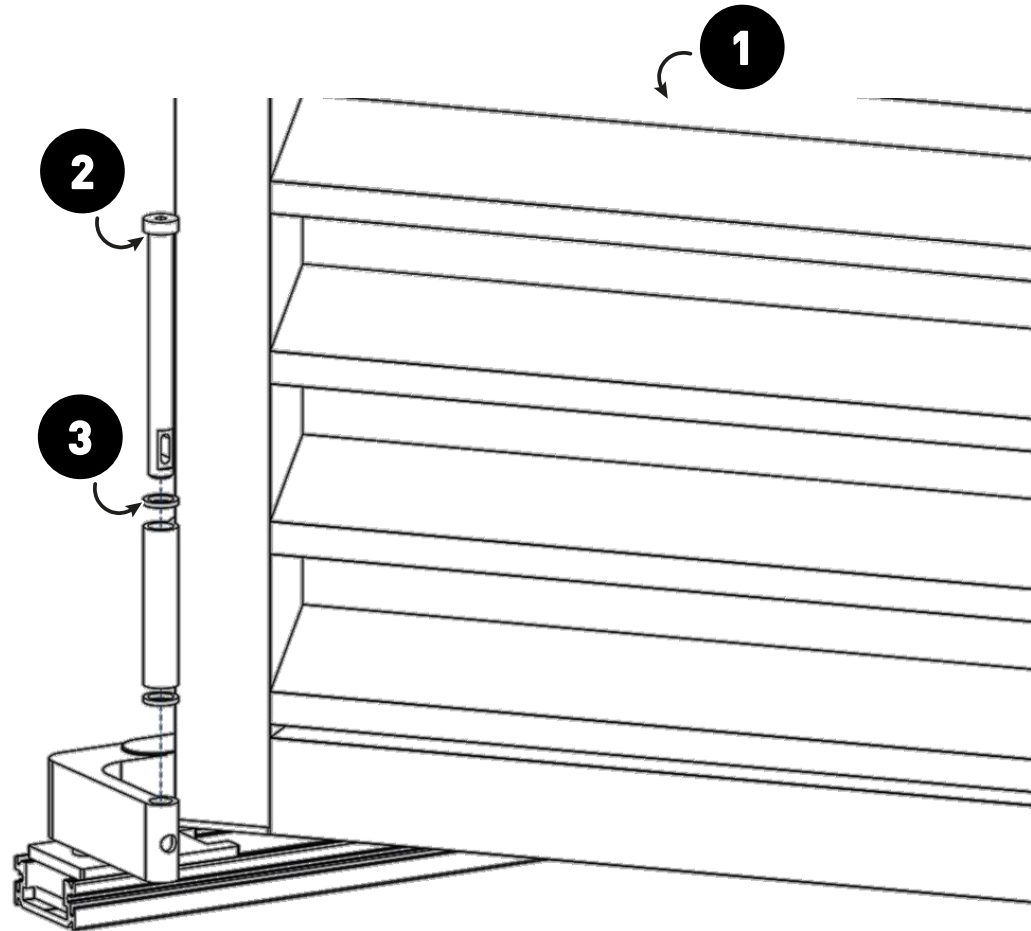
Panel A	x1	1
G0004610	x1	2
G0004609	x2	3



# 7

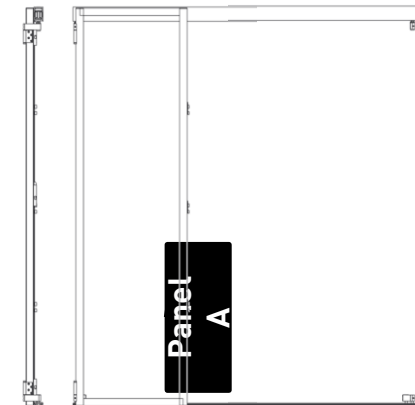
## Bifold installation left

5.



Parts :

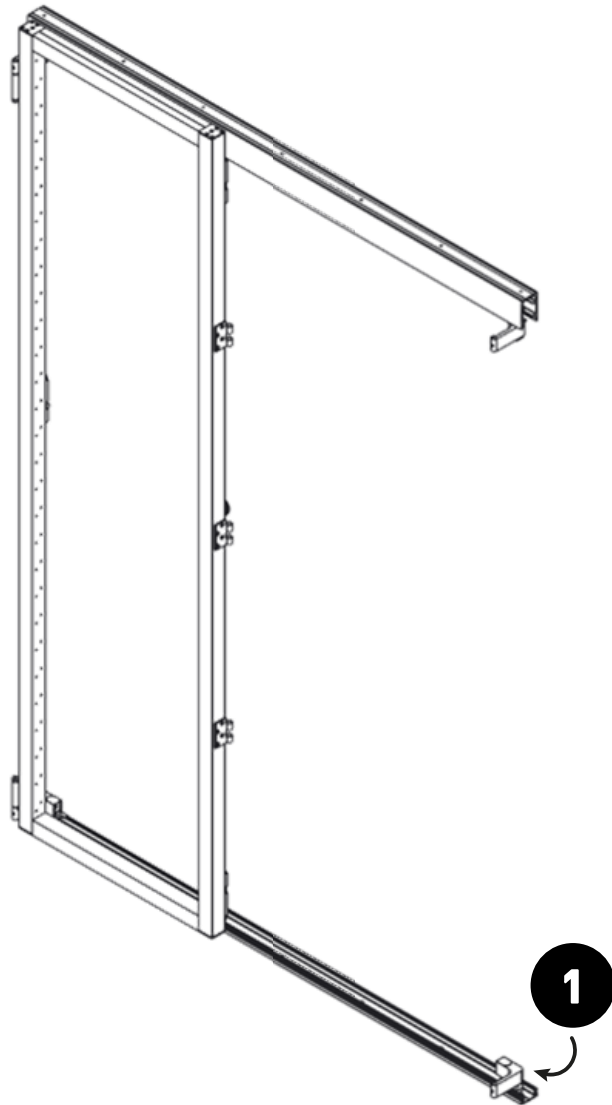
Panel A	x1	1
G0004610	x1	2
G0004609	x2	3



# 7

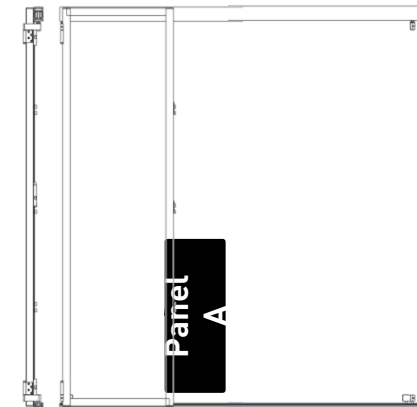
## Bifold installation left

6.



Parts :

G0004614	x1	1
----------	----	---

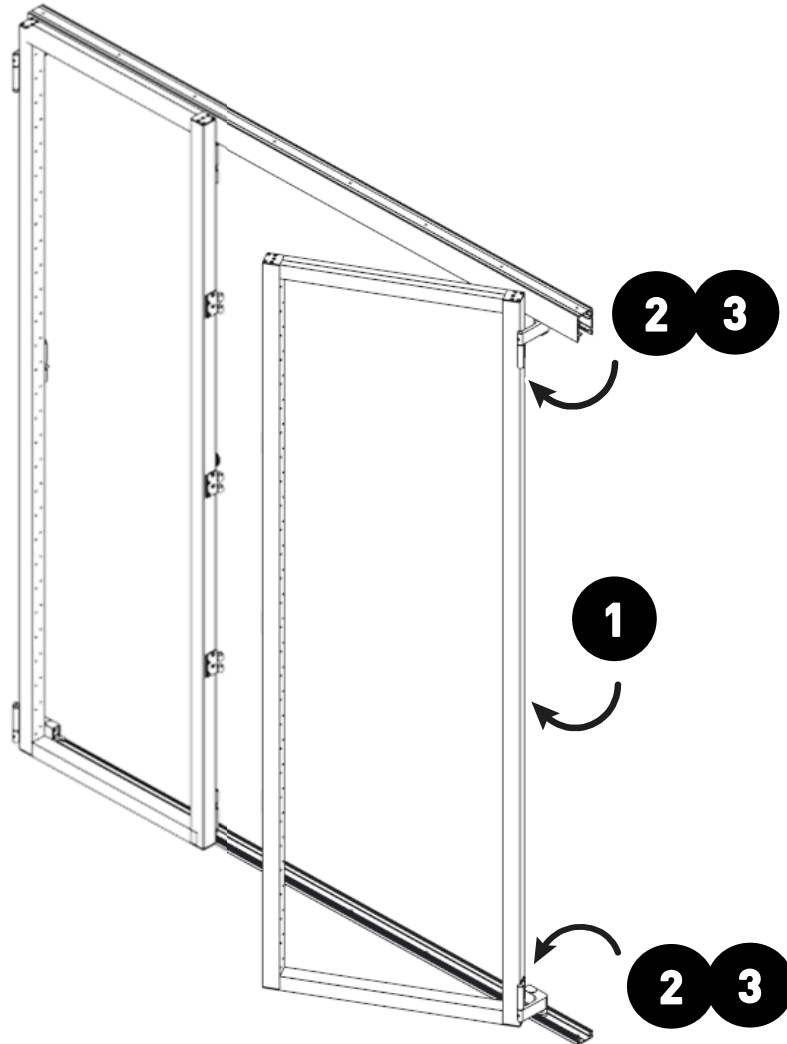




# 7

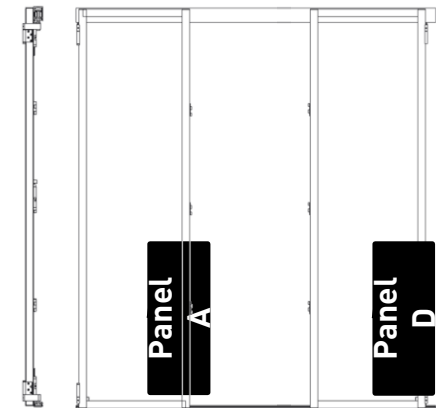
## Bifold installation left

7.



Parts :

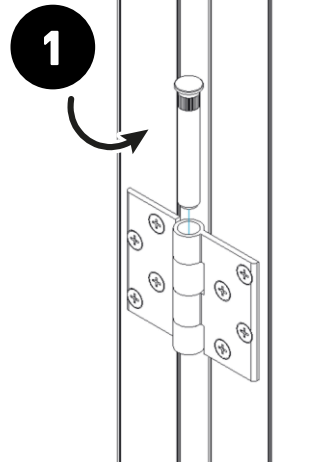
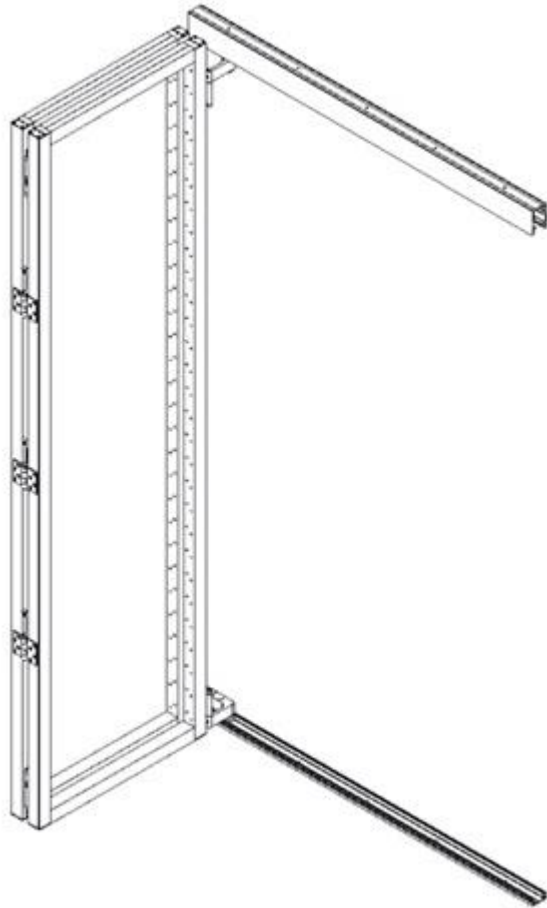
Panel D	x1	1
G0004610	x2	2
G0004609	x4	3



# 7

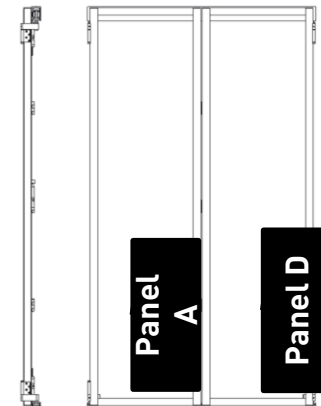
## Bifold installation left

8.



Parts :

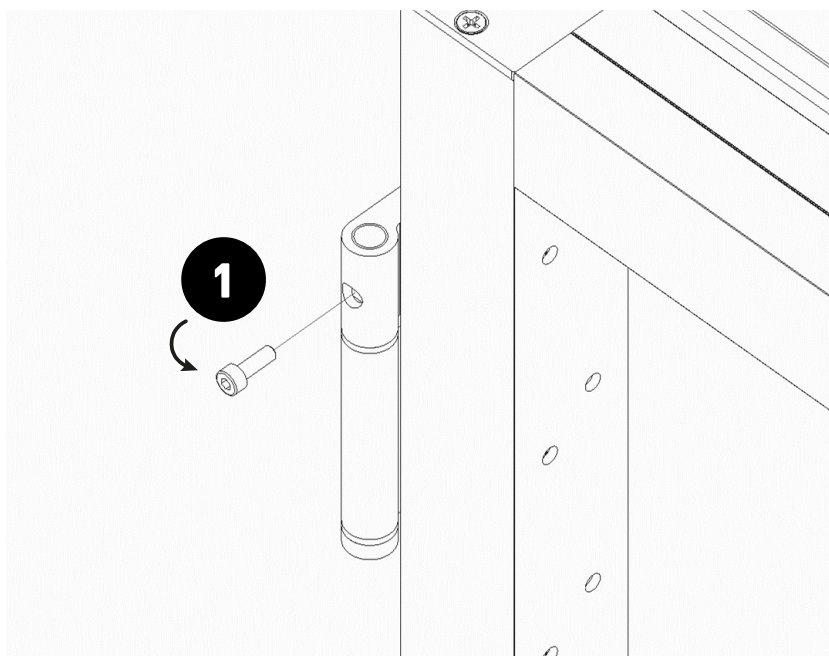
G0004608	x number of hinges	1
----------	--------------------	---



# 7

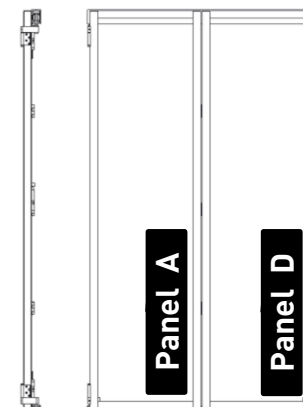
## Bifold installation left

9. Secure each trolley



Parts :

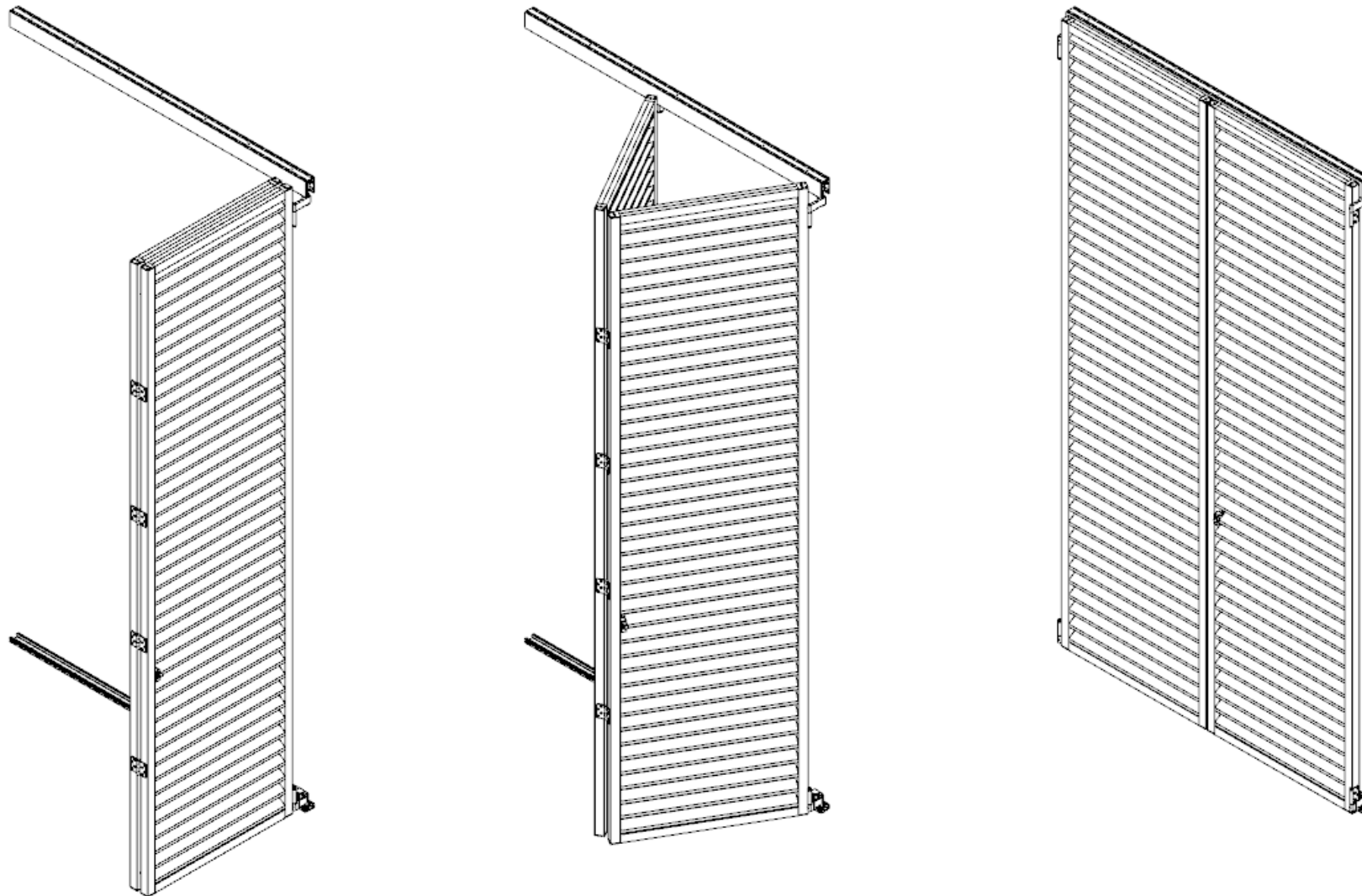
G0004620	x4	1
----------	----	---



Go to page 64 to continue

8

# Bifold installation right

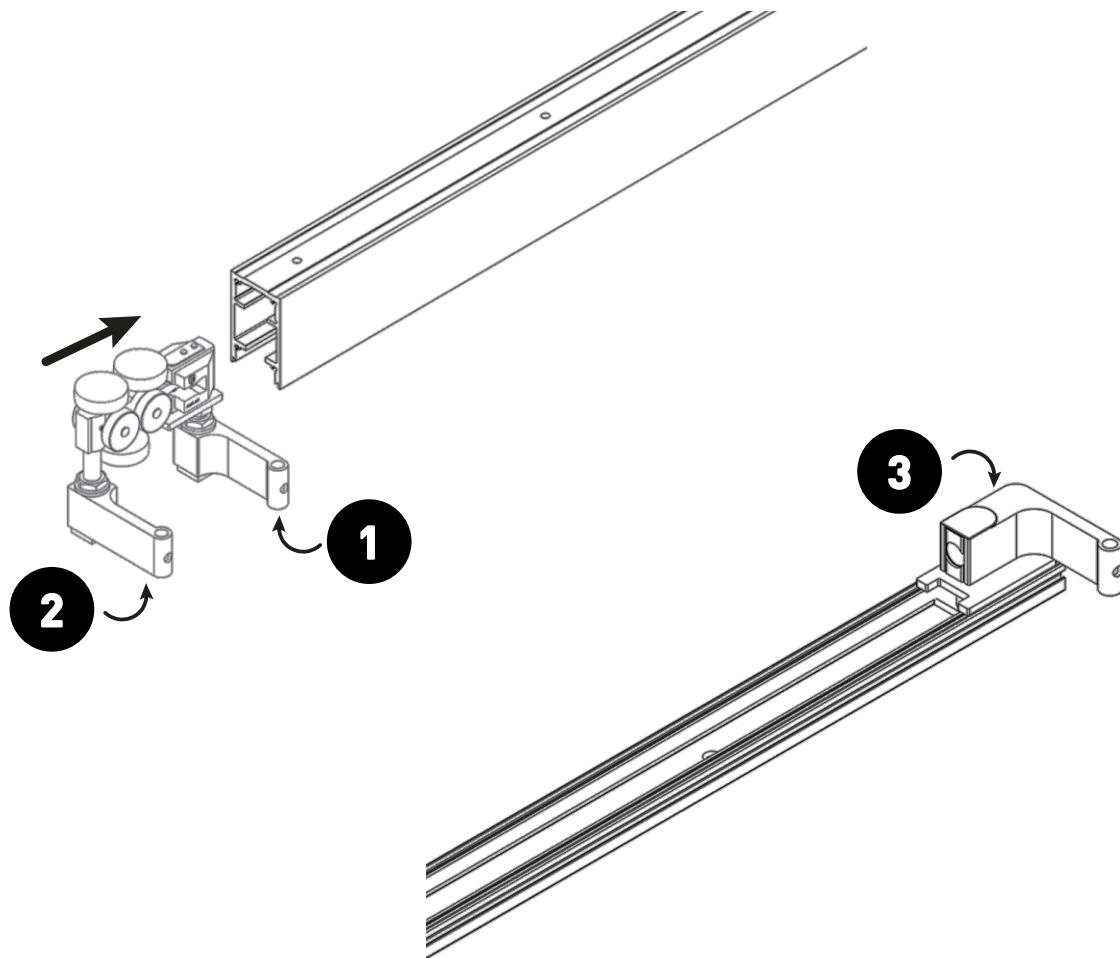


\*LEFT OR RIGHT IS DETERMINED FROM THE OUTSIDE

# 8

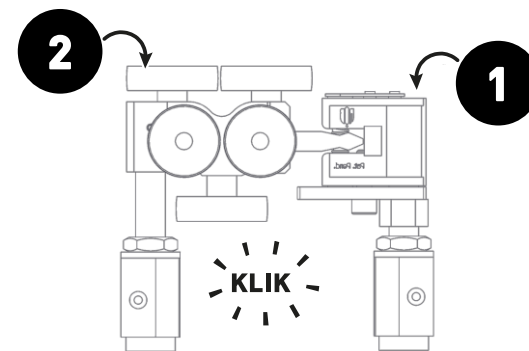
## Bifold installation right

1.



Parts :

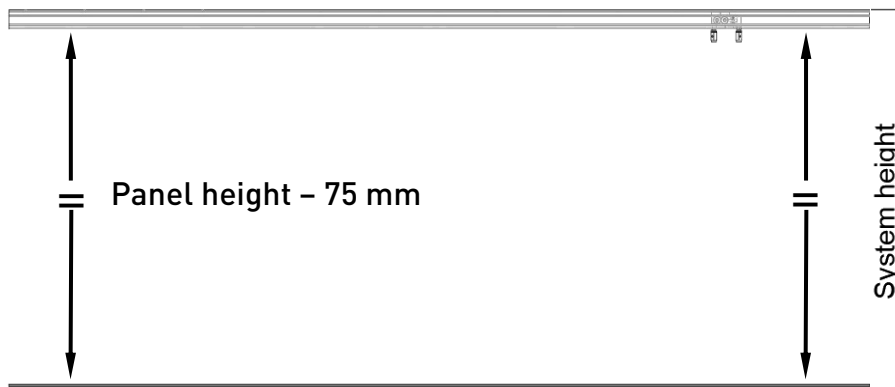
G0004603	x1	1
G0004606	x1	2
G0004611	x1	3



## 8

## Bifold installation right

2.



Fit the top and bottom track into the same area with a crossline laser, check the spacing in between



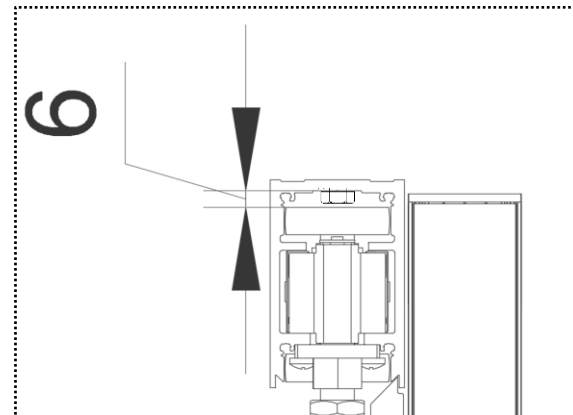
Use all holes in the top/bottom track to fix them into the ceiling or floor. Type of screws to be determined by the installer, depending on the ground.



**Attention: the trolley on top rolls on 6mm of the upper side of the track, make sure the installation doesn't block this movement**



**Attention: There is no possibility to adjust the height of the system. Make sure the distance is exactly as specified when ordering the system.**



## 3. Screw fixed pivots to rail



Parts :

G0000227

x4

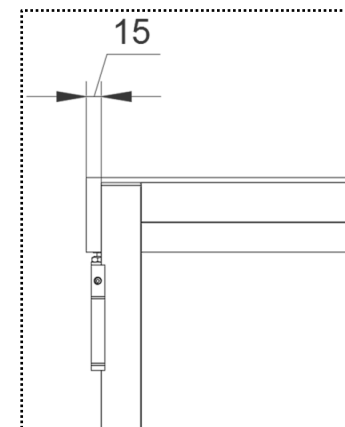
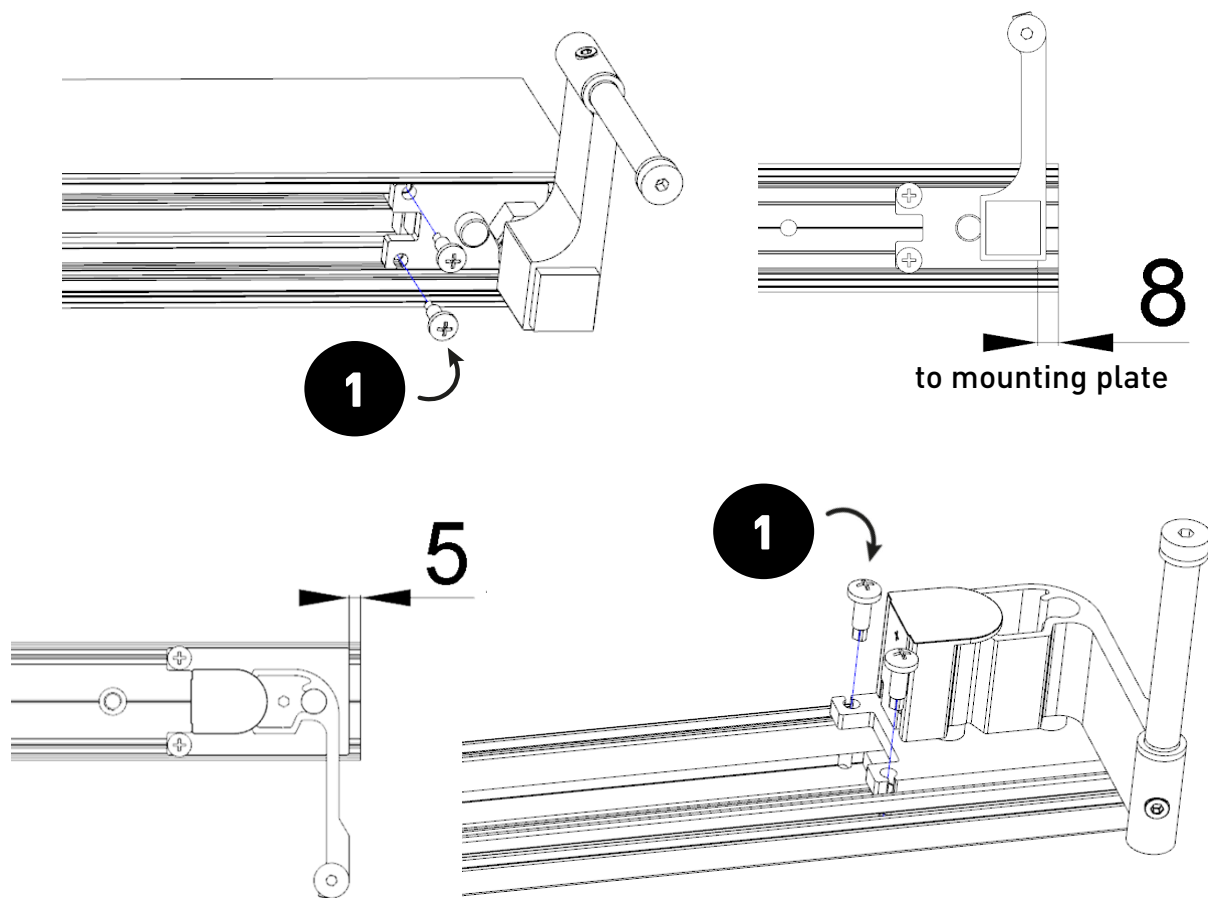
1



First pre-drill with  $\varnothing 4$  mm through the holes of the mounting plate



**Attention:**  
 Fix the pivots at the indicated distance from the rail (panel 15mm from rail end)



# 8

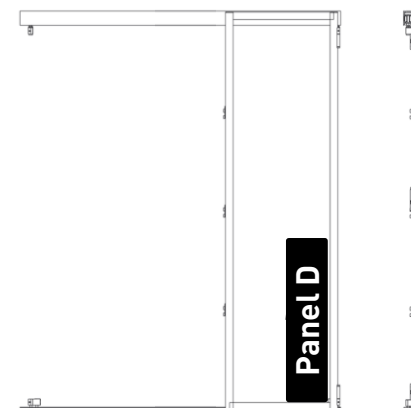
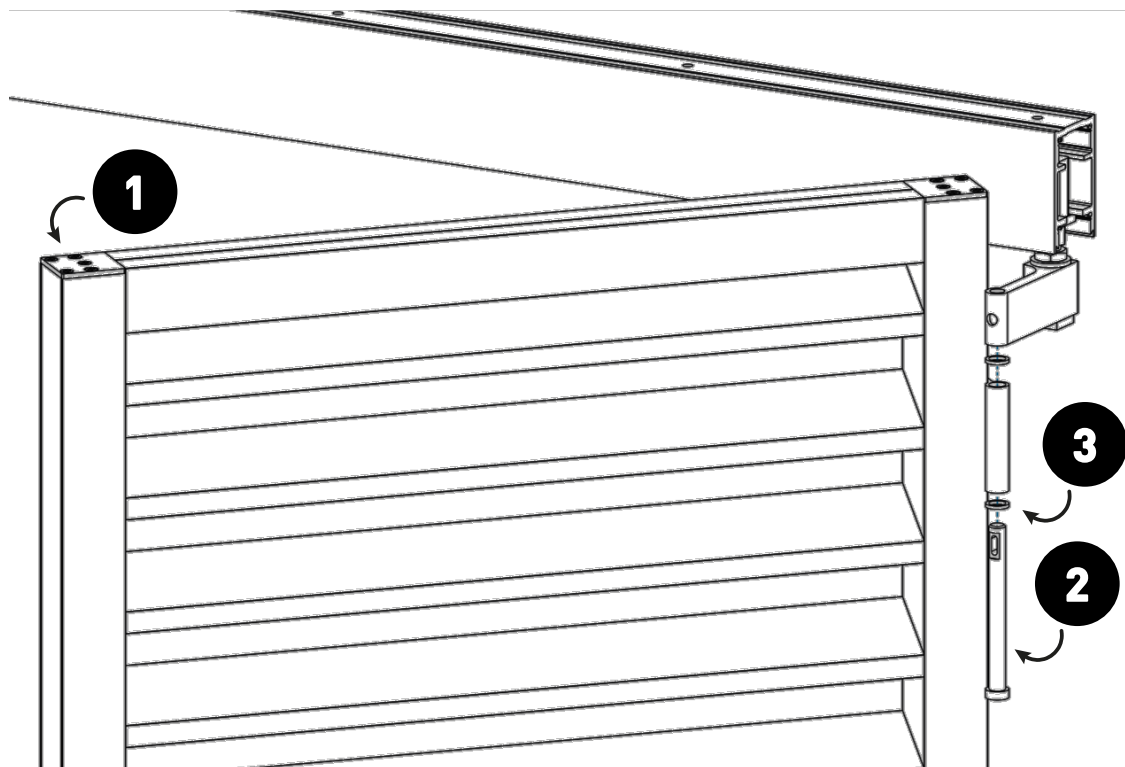
## Bifold installation right

4.



Parts :

Panel D	x1	1
G0004610	x1	2
G0004609	x1	3

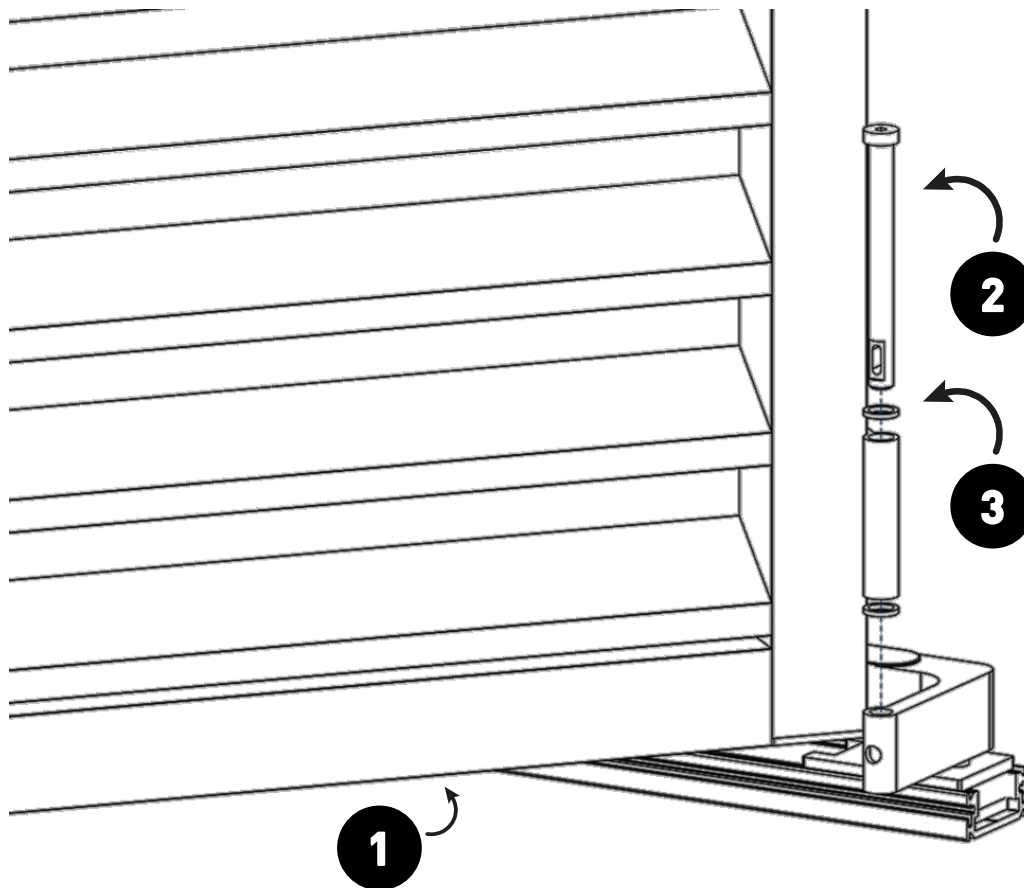




# 8

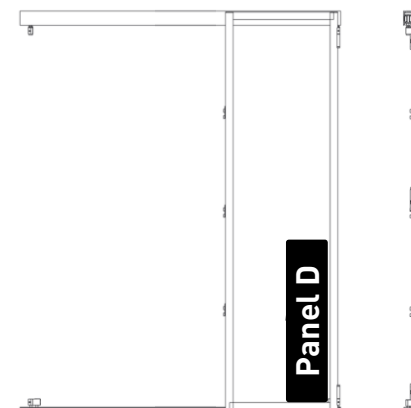
## Bifold installation right

5.



Parts :

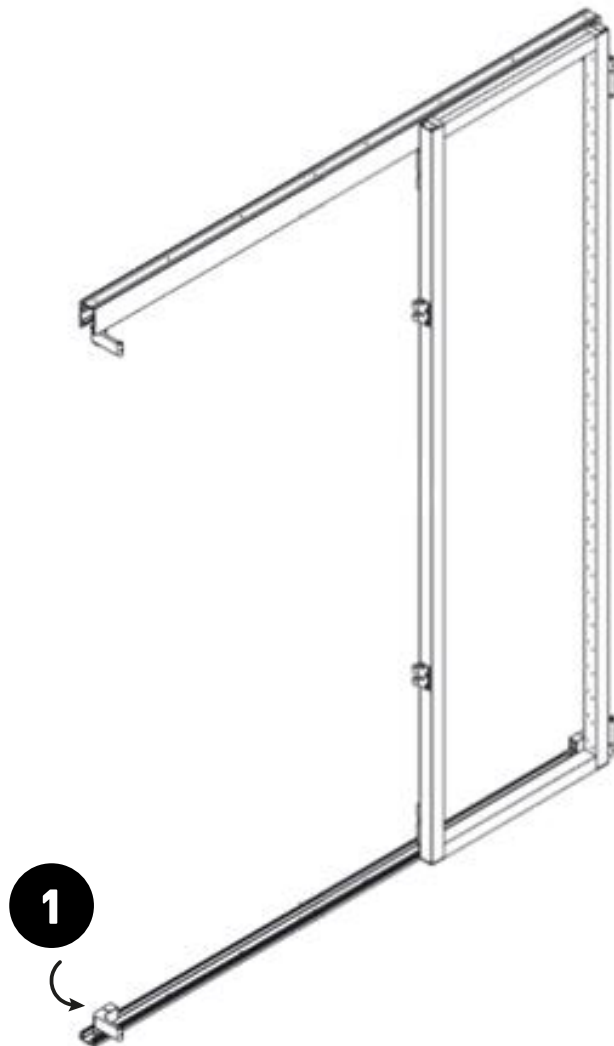
Panel D	x1	1
G0004610	x1	2
G0004609	x1	3



# 8

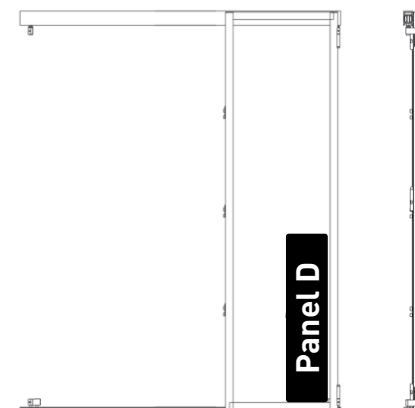
## Bifold installation right

6.



Parts :

G0004616	x1	1
----------	----	---

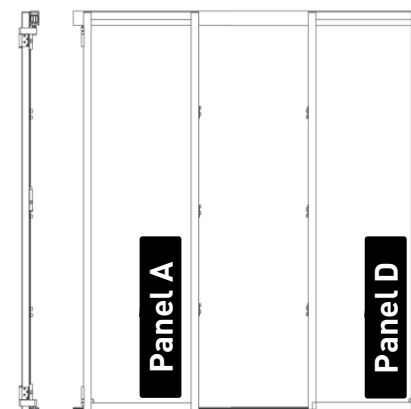


7.



Parts :

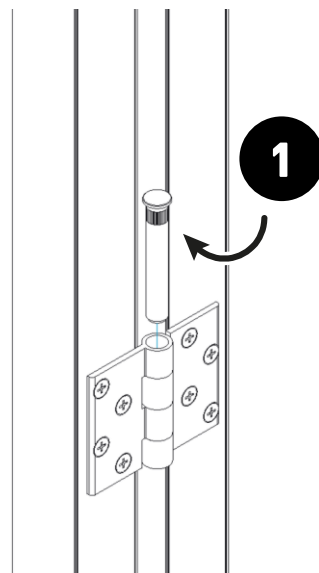
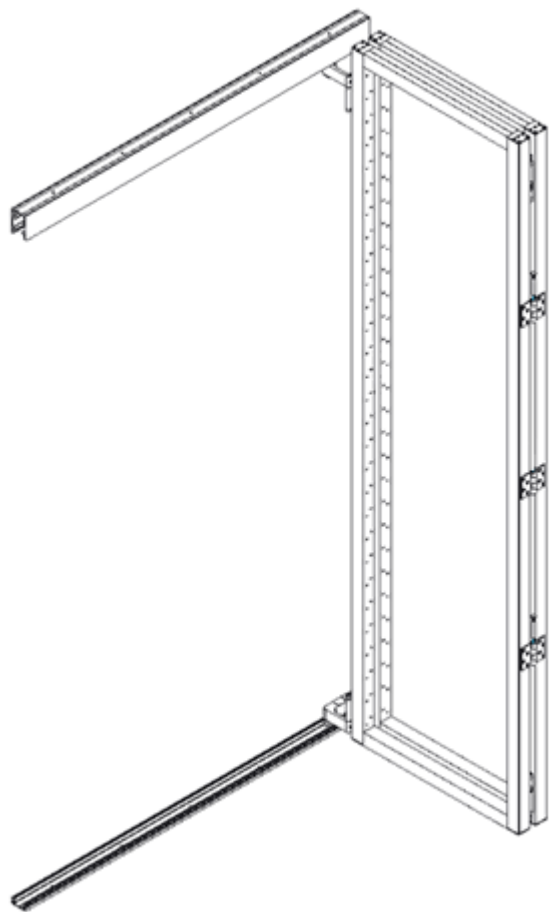
Panel A	x1	1
G0004610	x2	2
G0004609	x4	3



# 8

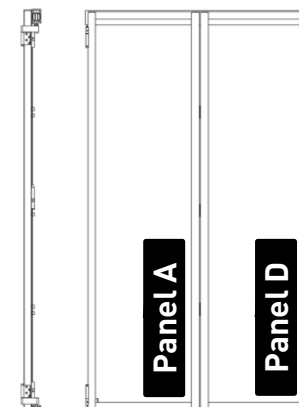
## Bifold installation right

8.



Parts :

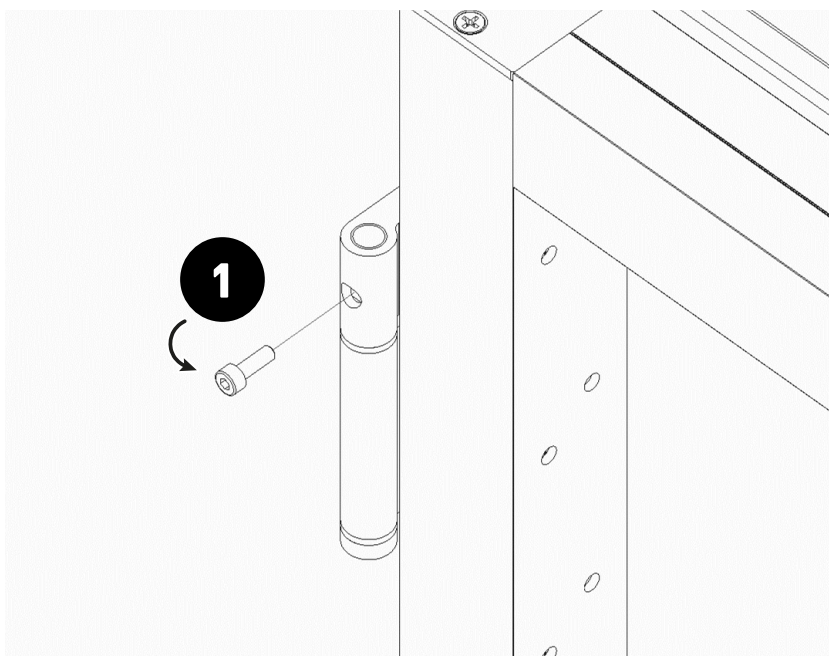
G0004608	x number of hinges	1
----------	--------------------	---



# 8

## Bifold installation right

9. Secure each trolley



Parts :

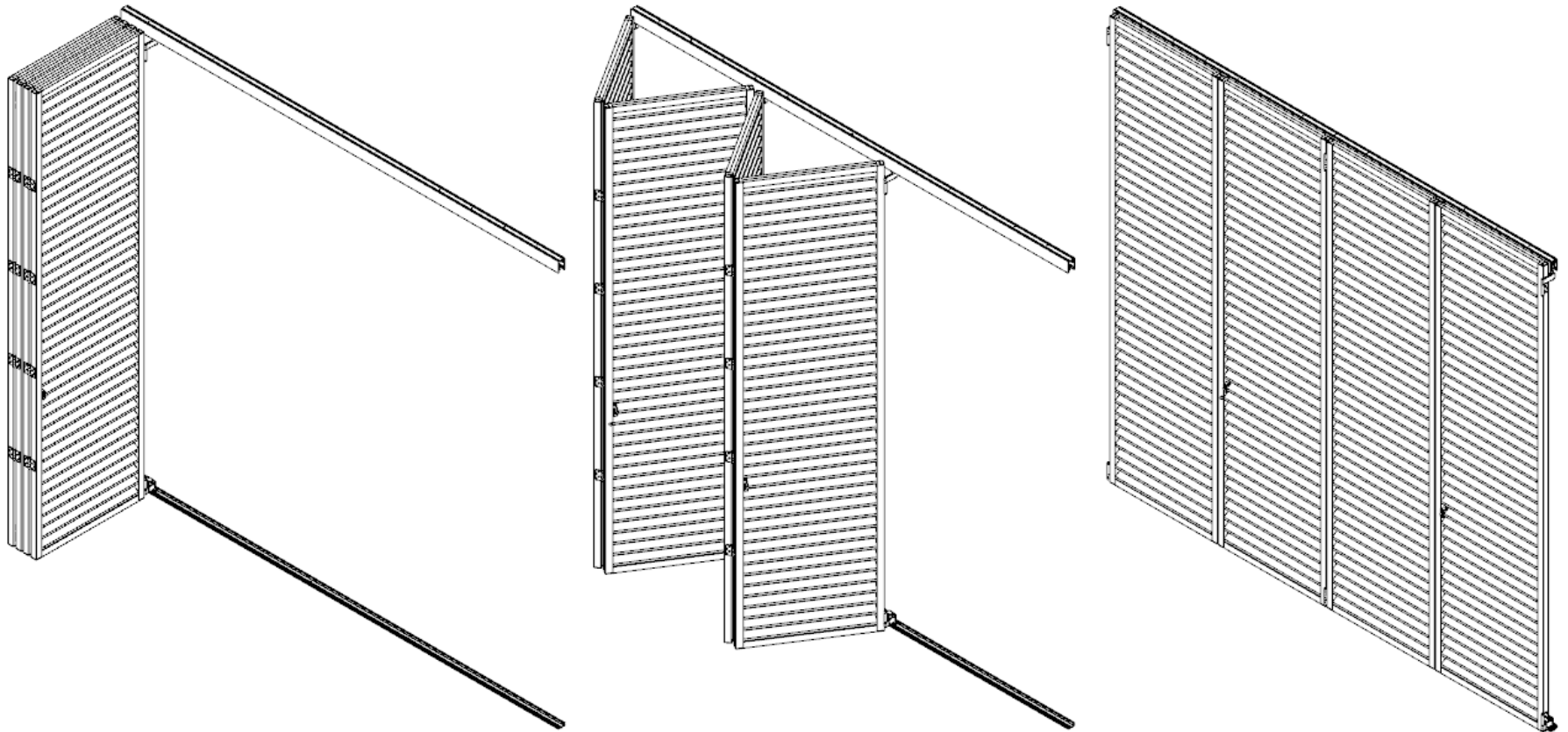
G0004620	x4	1
----------	----	---



Go to page 64 to continue

9

# Quadrafold installation left

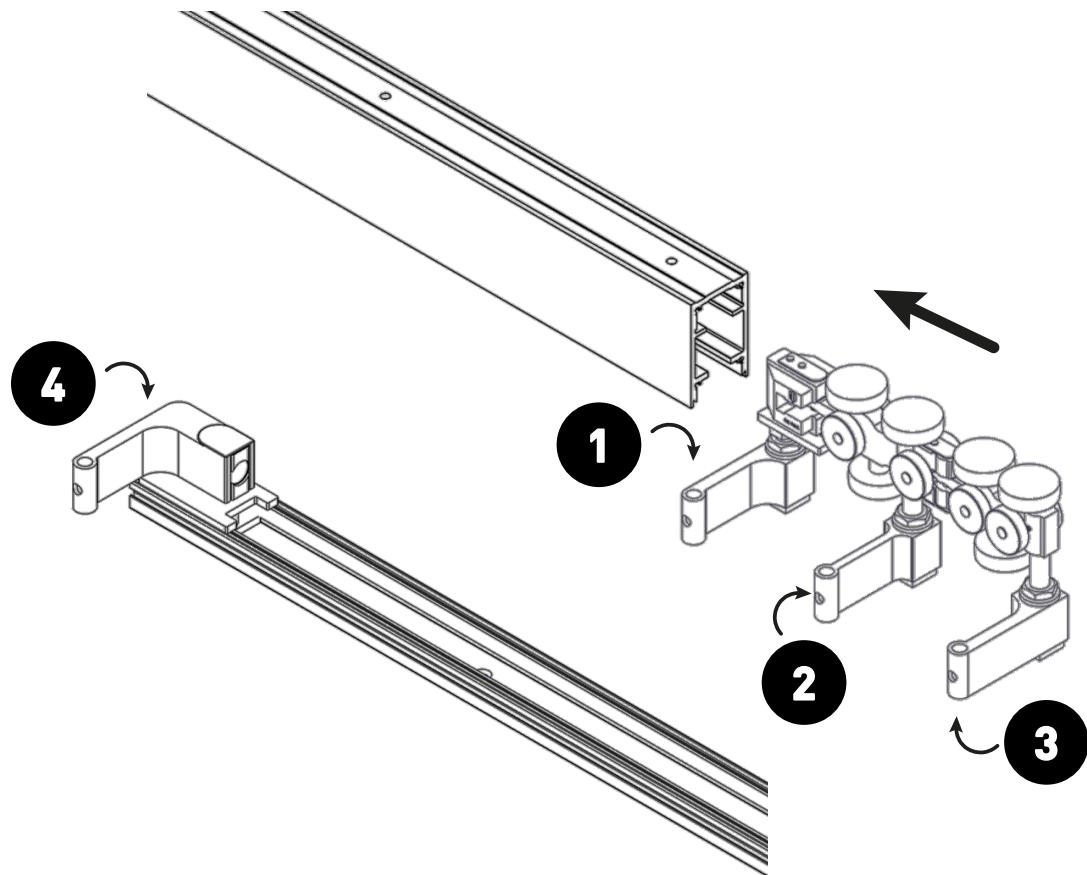


\*LEFT OR RIGHT IS DETERMINED FROM THE OUTSIDE

# 9

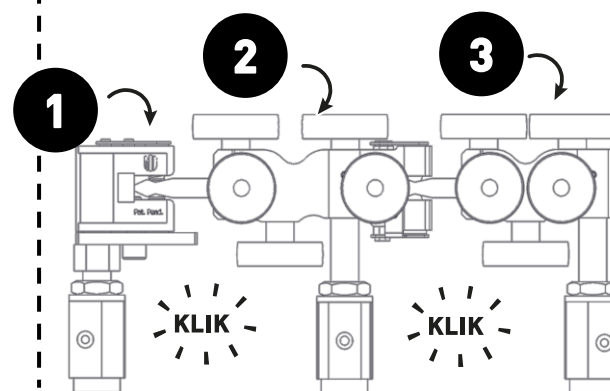
## Quadrafold installation left

1.

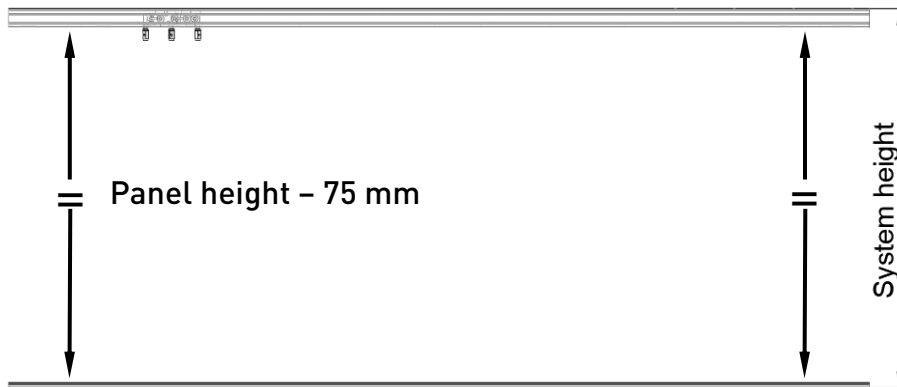


Parts:

G0004602	x1	1
G0004605	X1	2
G0004607	X1	3
G0004612	X1	4



2.



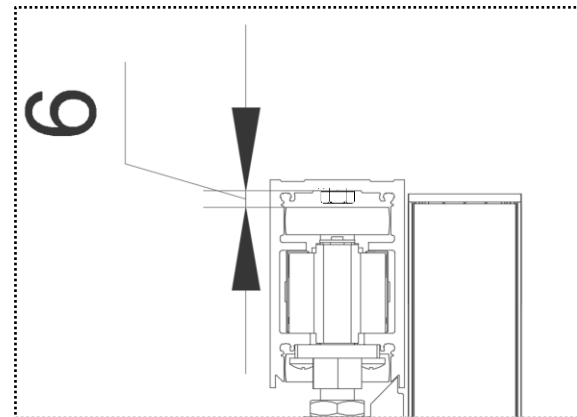
Fit the top and bottom track into the same area with a crossline laser, check the spacing in between



Use all holes in the top/bottom track to fix them into the ceiling or floor. Type of screws to be determined by the installer, depending on the ground.



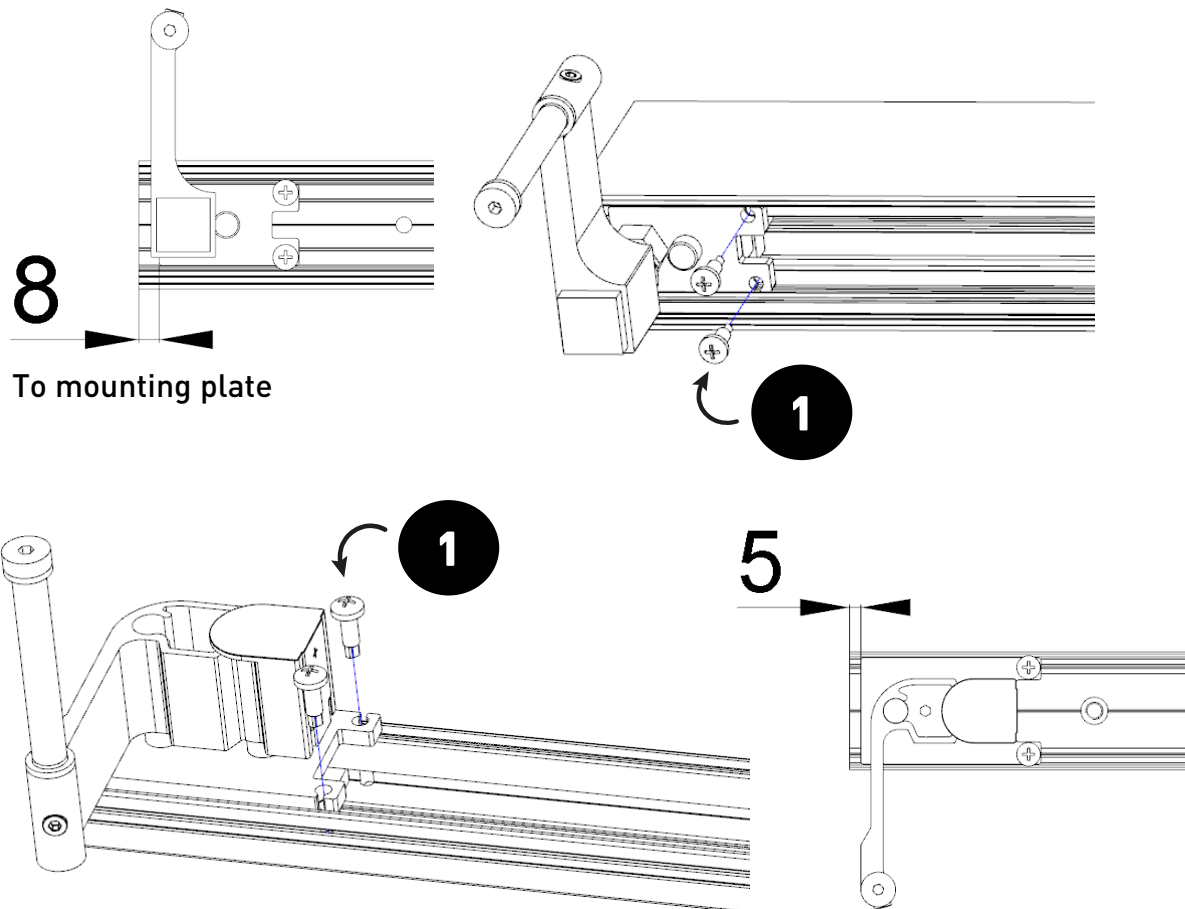
Attention: the trolley on top rolls on 6mm of the upper side of the track, make sure the installation doesn't block this movement



Attention: There is no possibility to adjust the height of the system. Make sure the distance is exactly as specified when ordering the system.



## 3. Screw fixed pivots to rail



Parts :

G0000227

x4

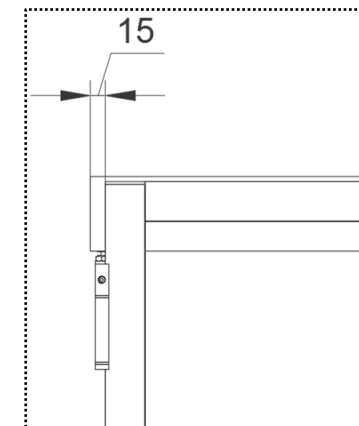
1



First pre-drill with  $\varnothing 4$  mm  
through the holes of the  
mounting plate



**Attention:**  
Fix the pivots at the indicated  
distance from the rail (panel  
15mm from rail end)

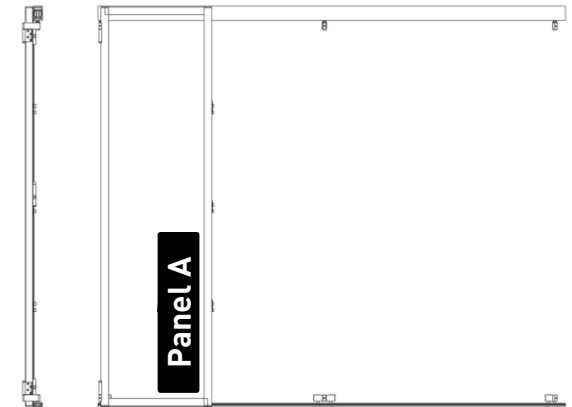
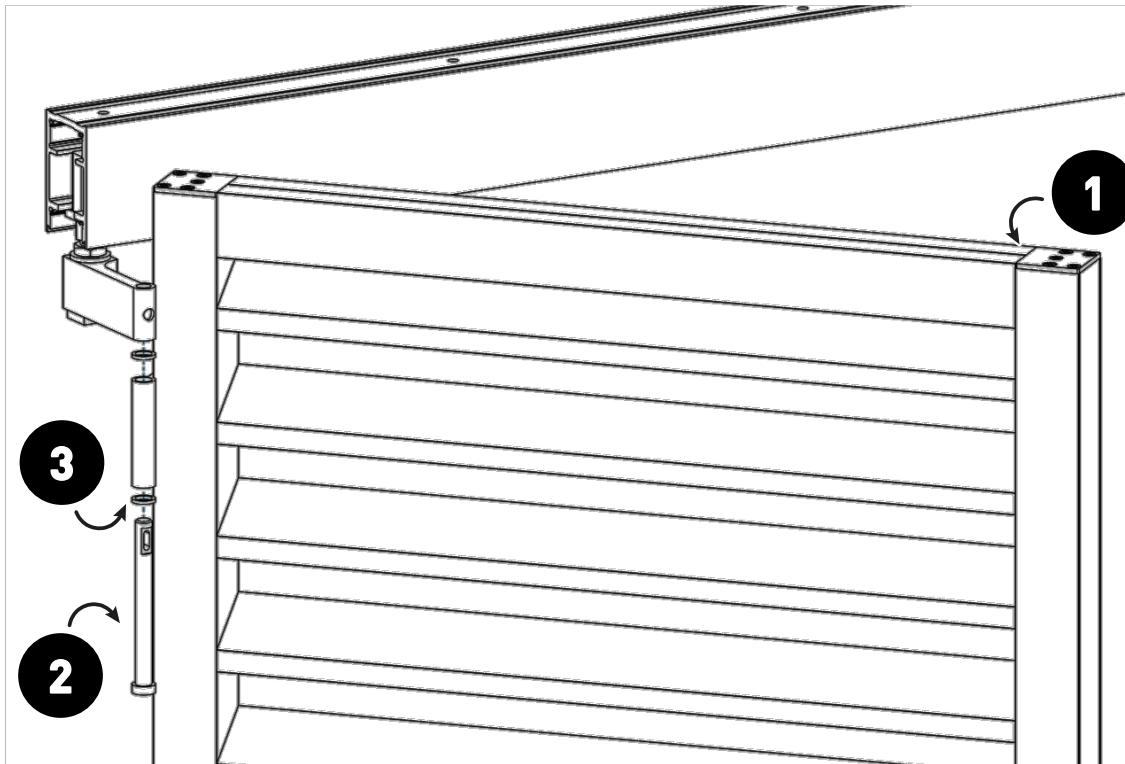


4.

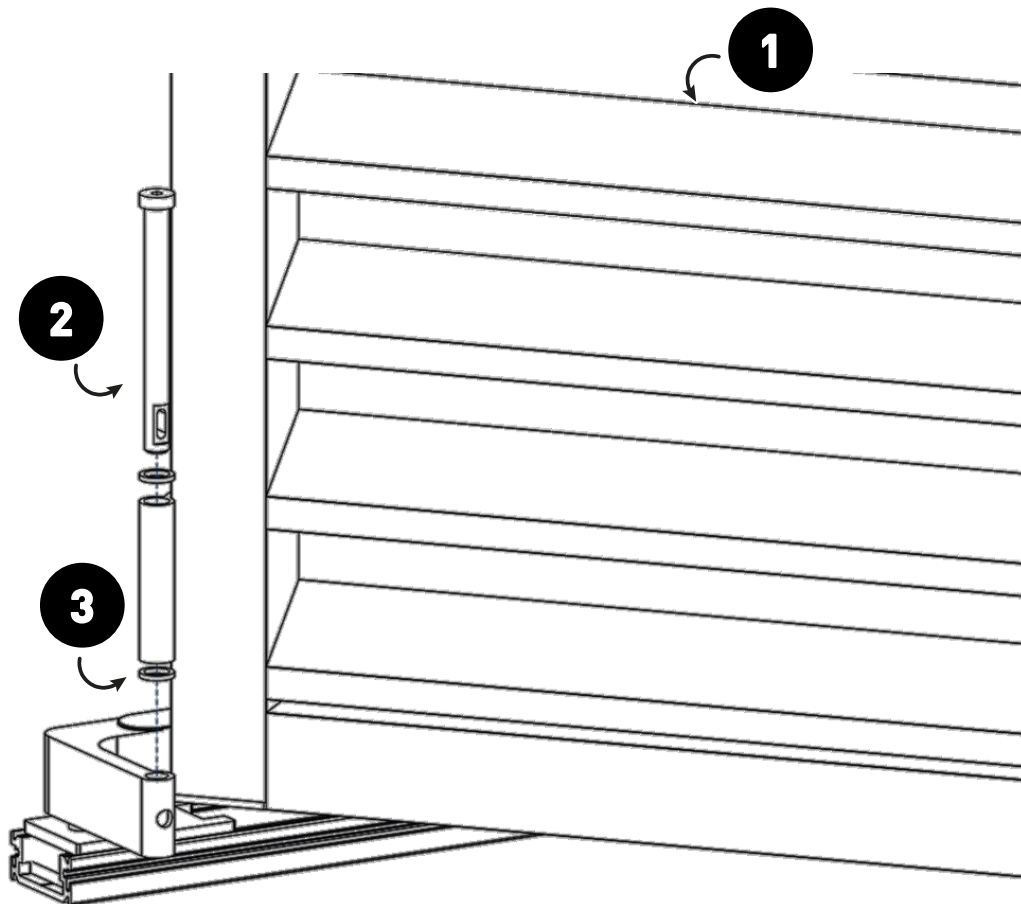


Parts :

Panel A	x1	1
G0004610	x1	2
G0004609	x2	3

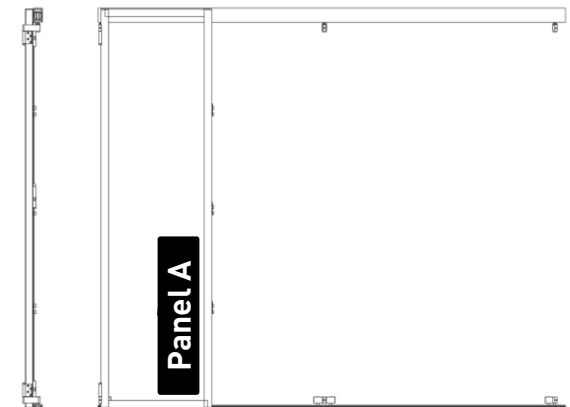


5.

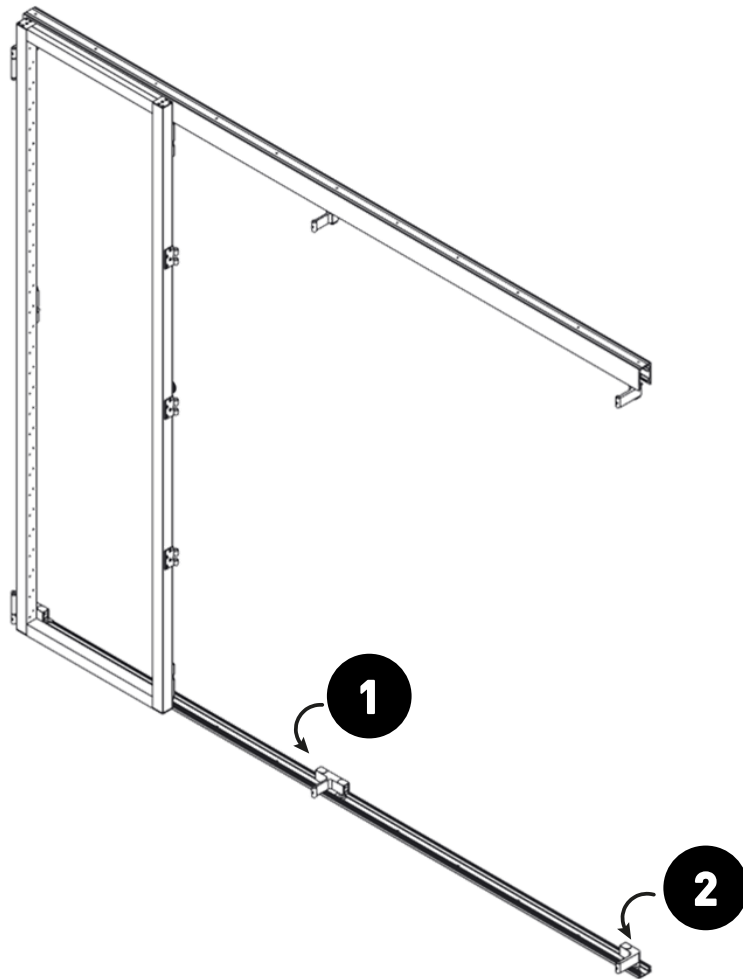


Parts :

Panel A	x1	1
G0004610	x1	2
G0004609	x2	3

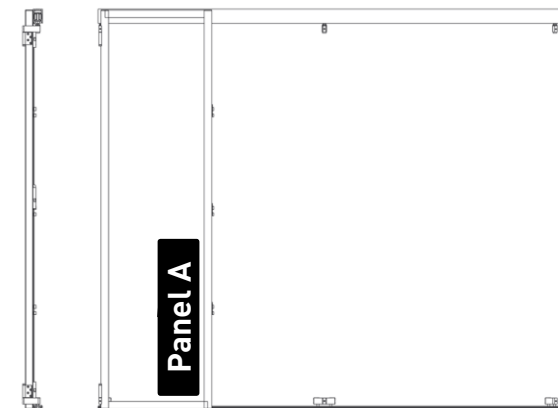


6.



Parts :

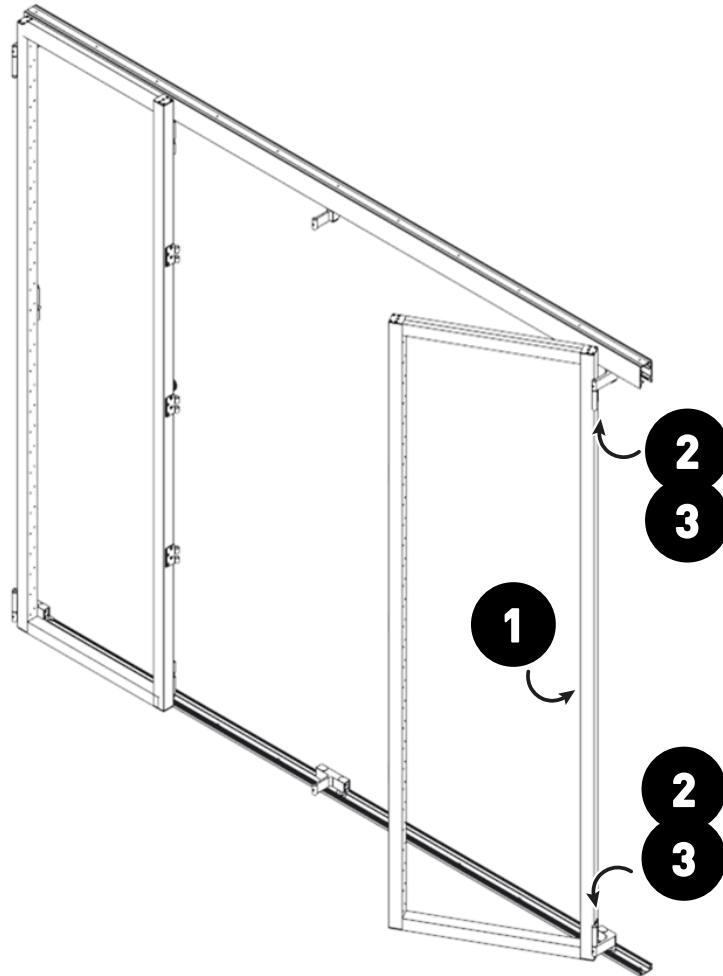
G0004615	x1	1
G0004614	x1	2



# 9

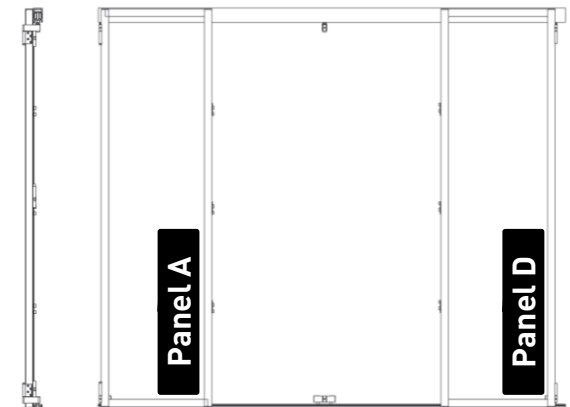
## Quadrafold installation left

7.



Parts :

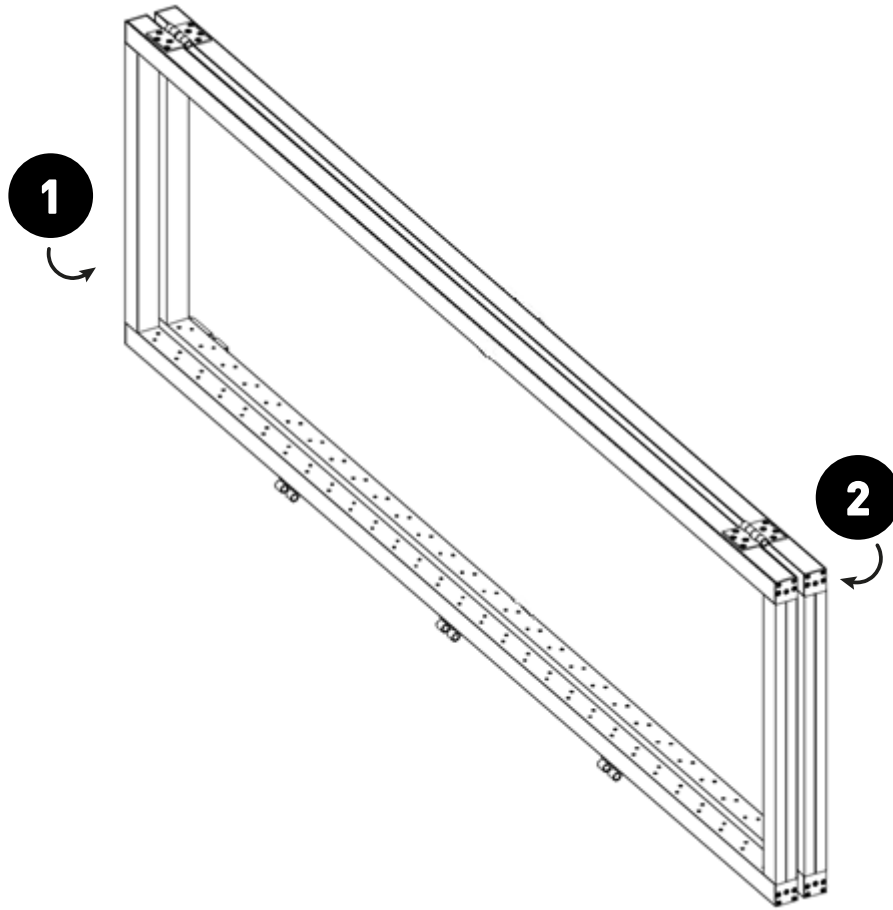
Panel D	x1	1
G0004610	x2	2
G0004609	x4	3



# 9

## Quadrafold installation left

8.



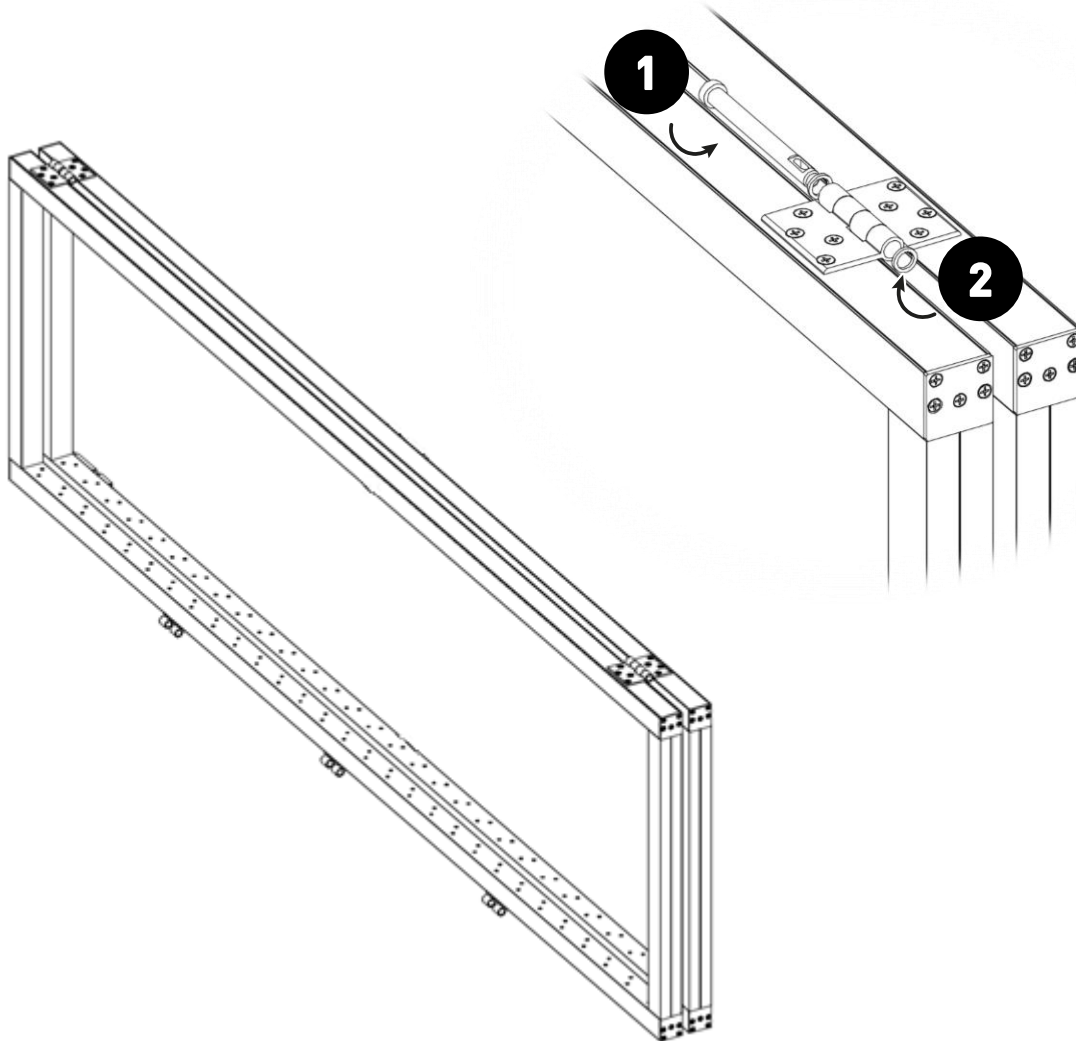
Parts :

Panel B	x1	1
Panel C	x1	2

# 9

## Quadrafold installation left

9.



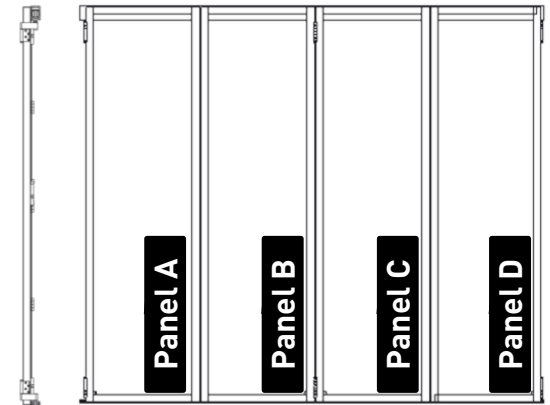
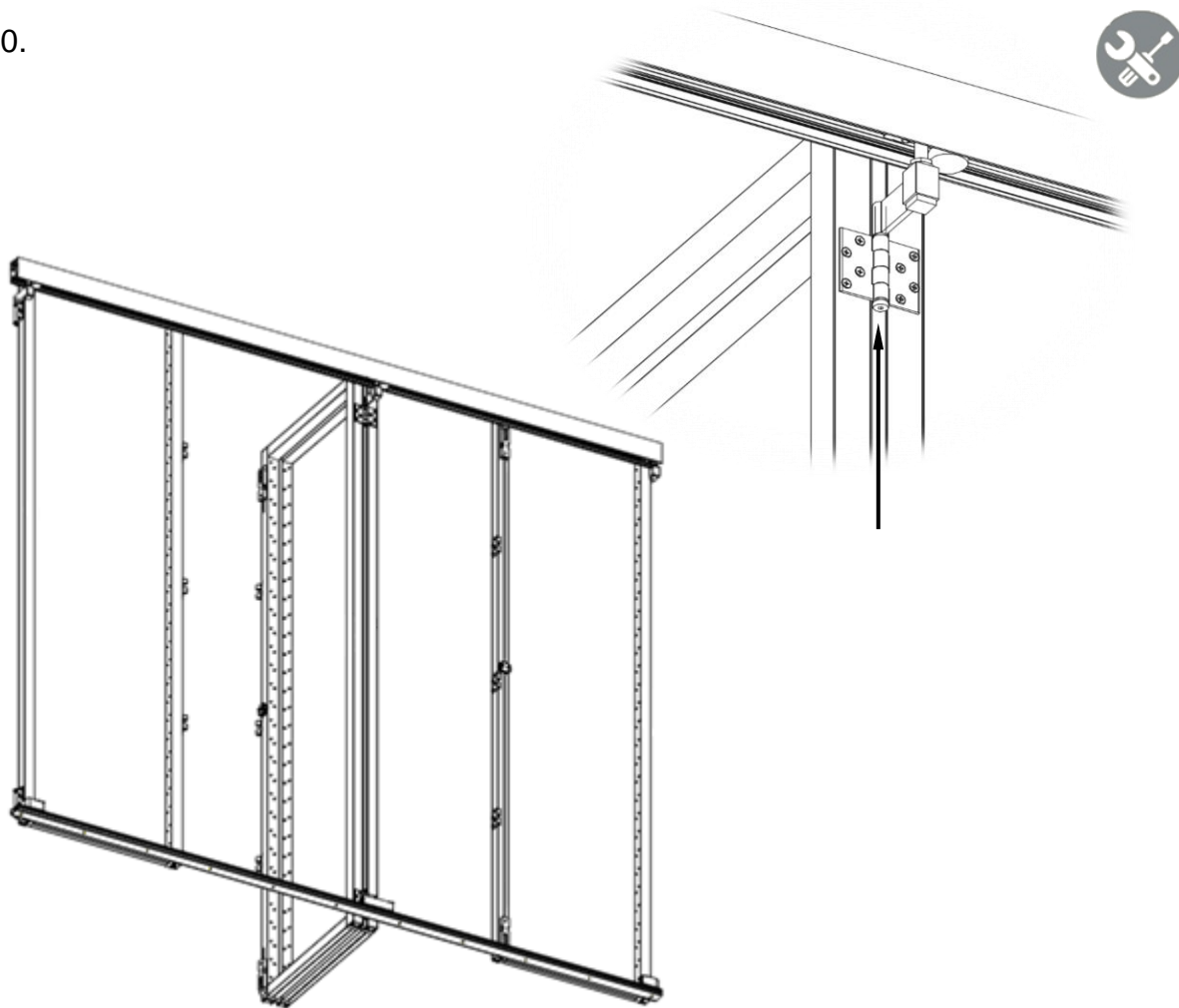
Parts :

G0004610	x2	1
G0004609	x4	2

# 9

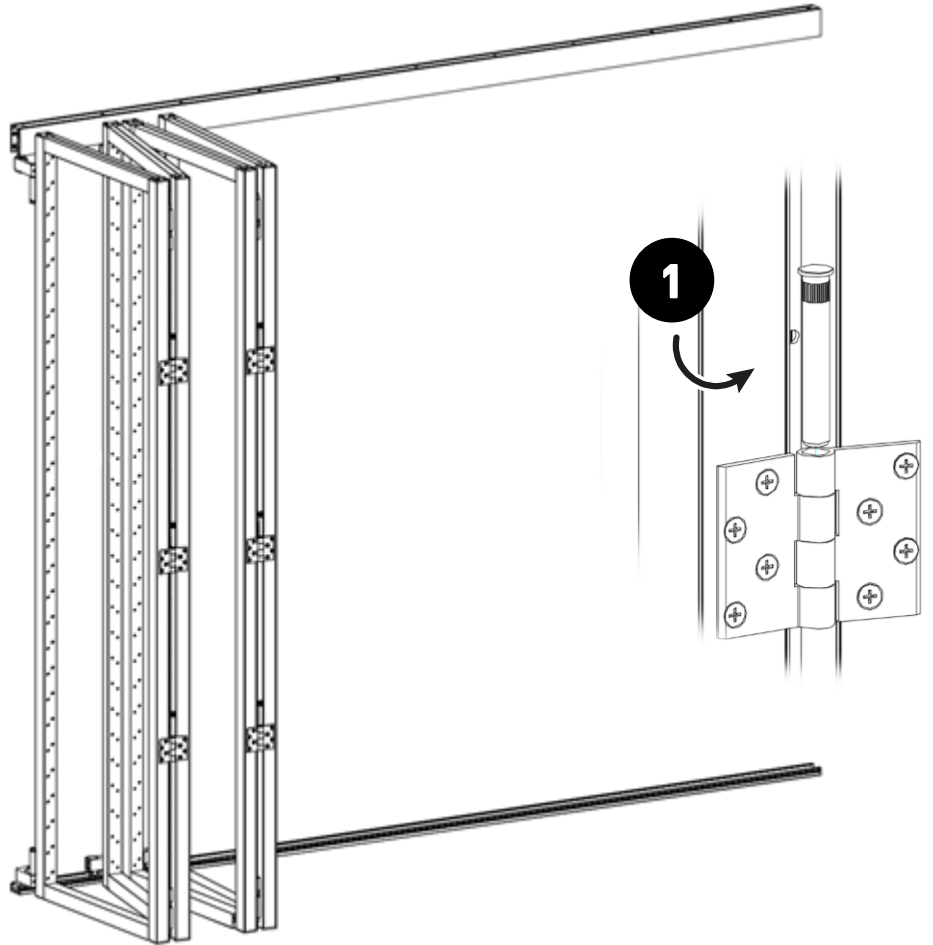
## Quadrafold installation left

10.





11.

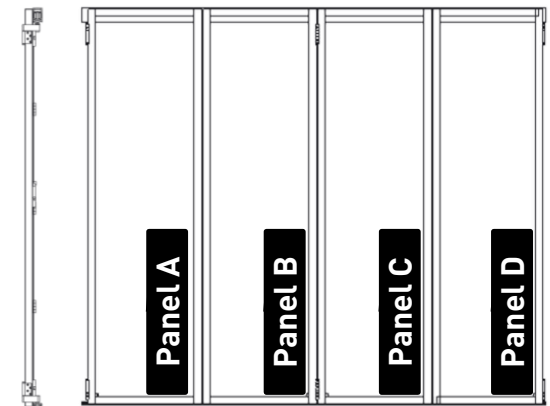


Parts :

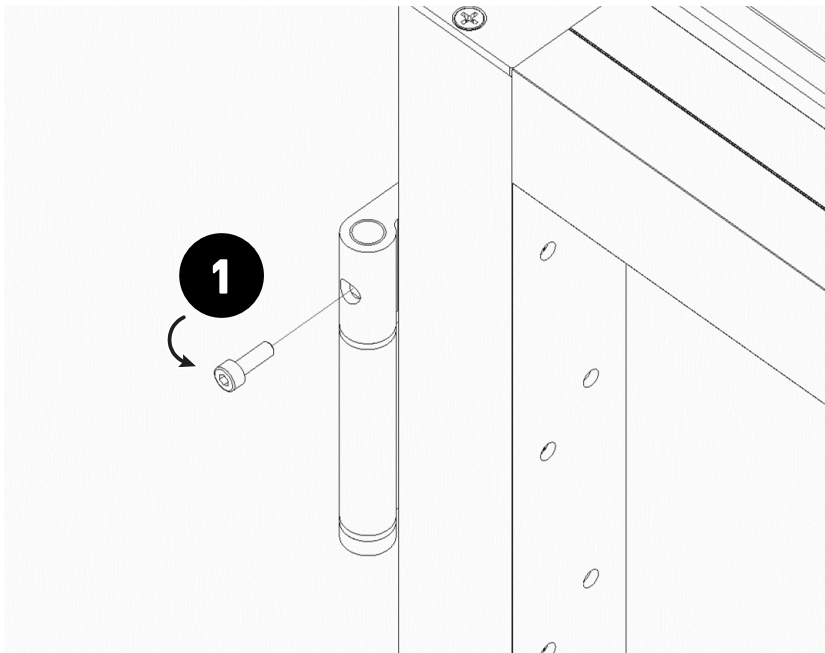
G0004608

x number of hinges

1



## 12. Secure each trolley

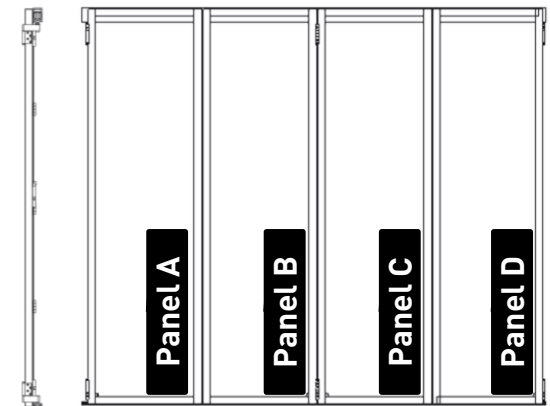


Parts :

G0004620

x6

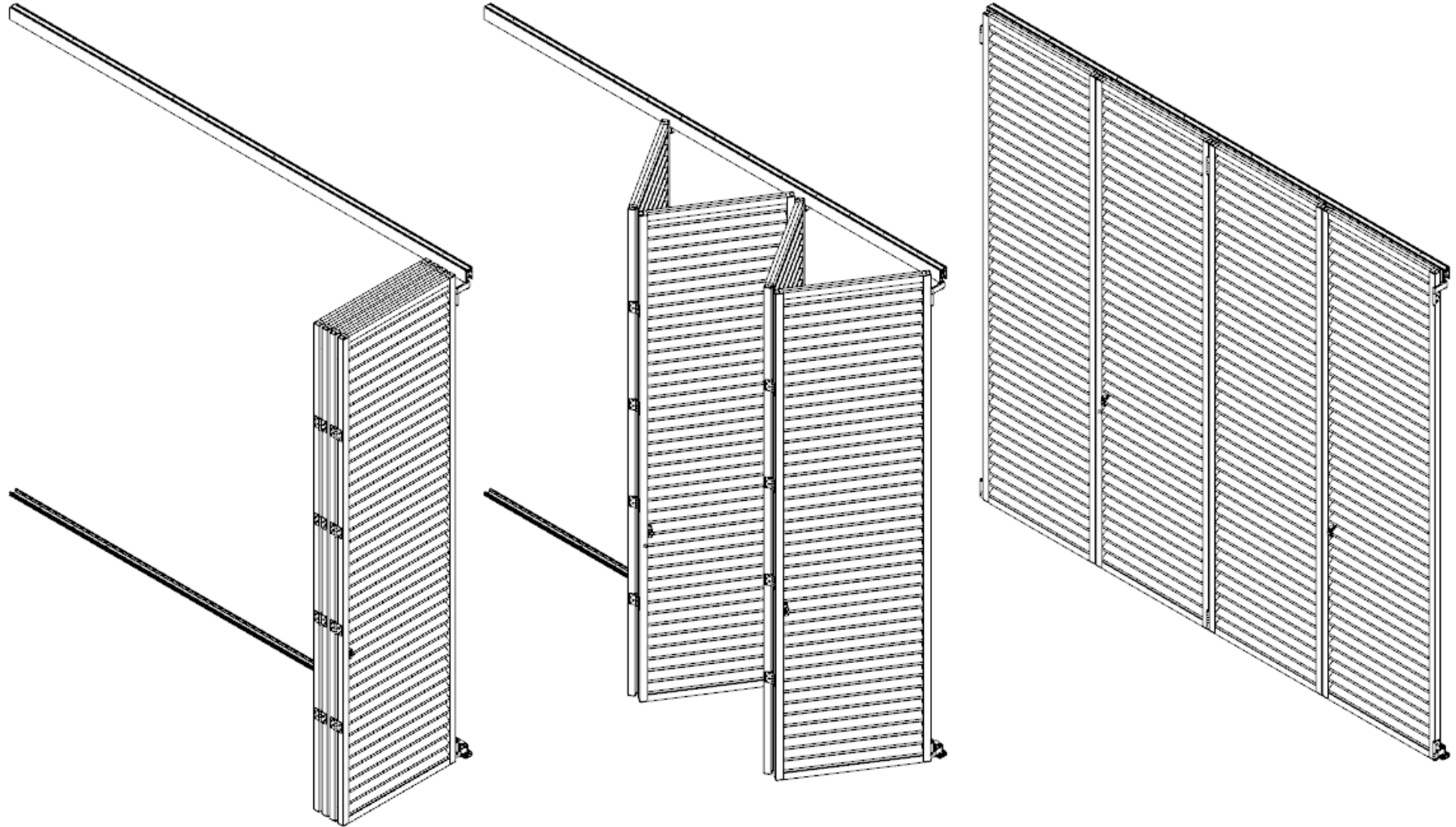
1



Go to page 64 to continue

10

# Quadrafold installation right

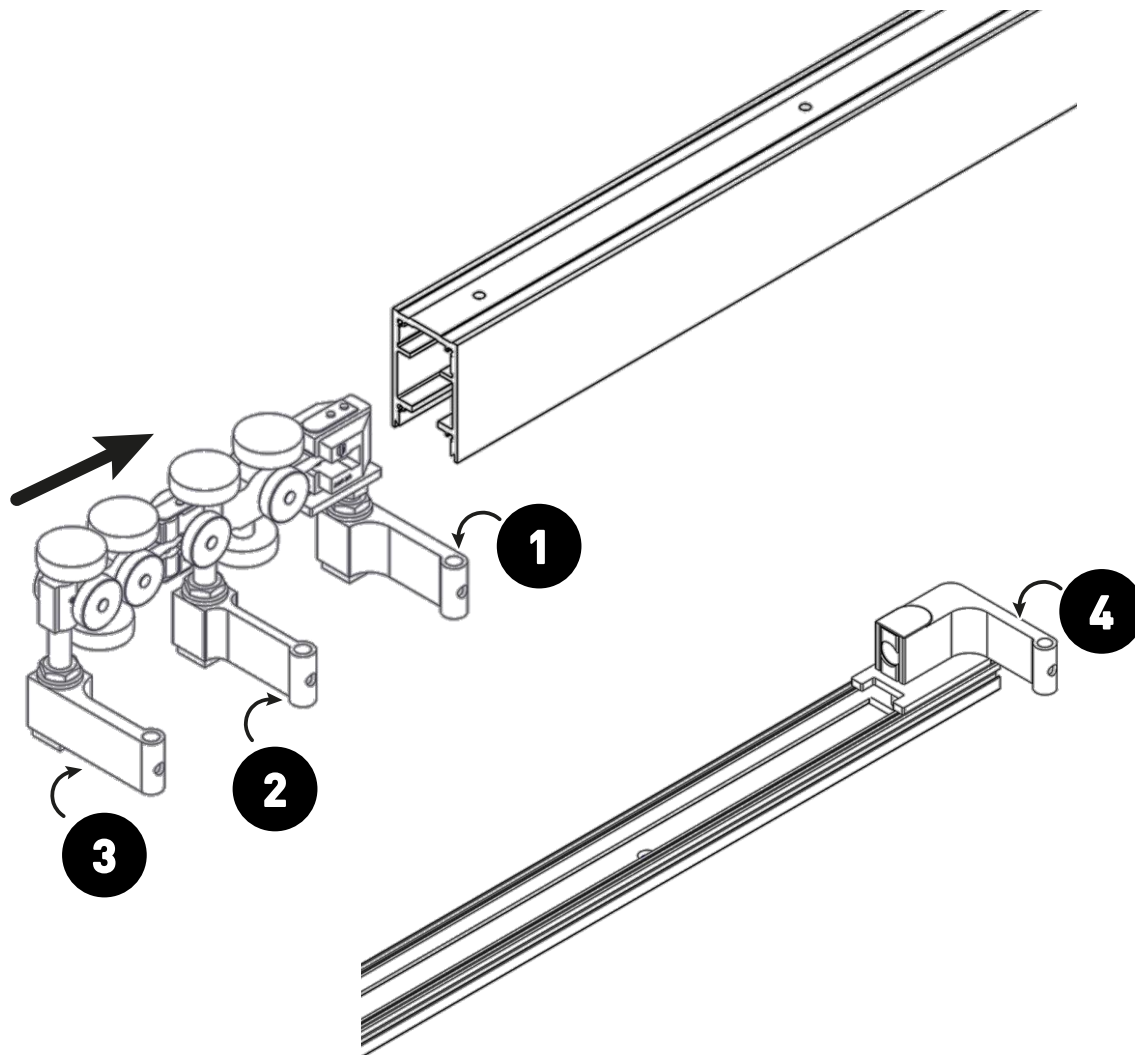


\*LEFT OR RIGHT IS DETERMINED FROM THE OUTSIDE

# 10

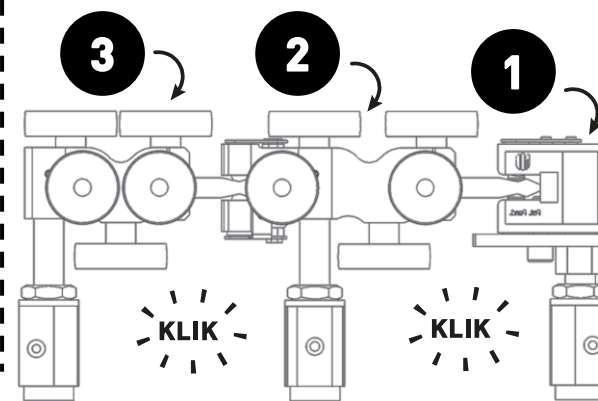
## Quadrafold installation right

1.



Parts :

G0004603	x1	1
G0004604	x1	2
G0004606	x1	3
G0004611	x1	4



# 10 Quadrafold installation right

2.



Fit the top and bottom track into the same area with a crossline laser, check the spacing in between.



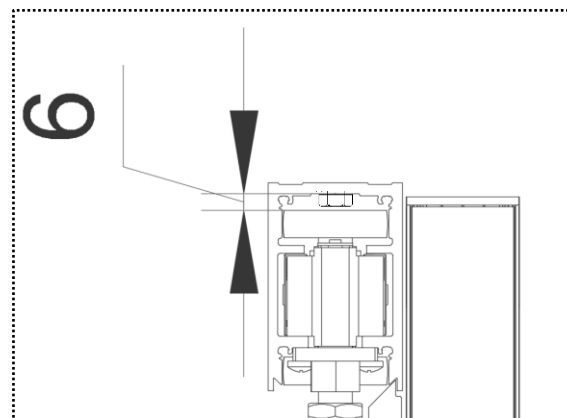
Use all holes in the top/bottom track to fix them into the ceiling or floor. Type of screws to be determined by the installer, depending on the ground.



Attention: the trolley on top rolls on 6mm of the upper side of the track, make sure the installation doesn't block this movement



Attention: There is no possibility to adjust the height of the system. Make sure the distance is exactly as specified when ordering the system.



### 3. Screw fixed pivots on the track



Parts :

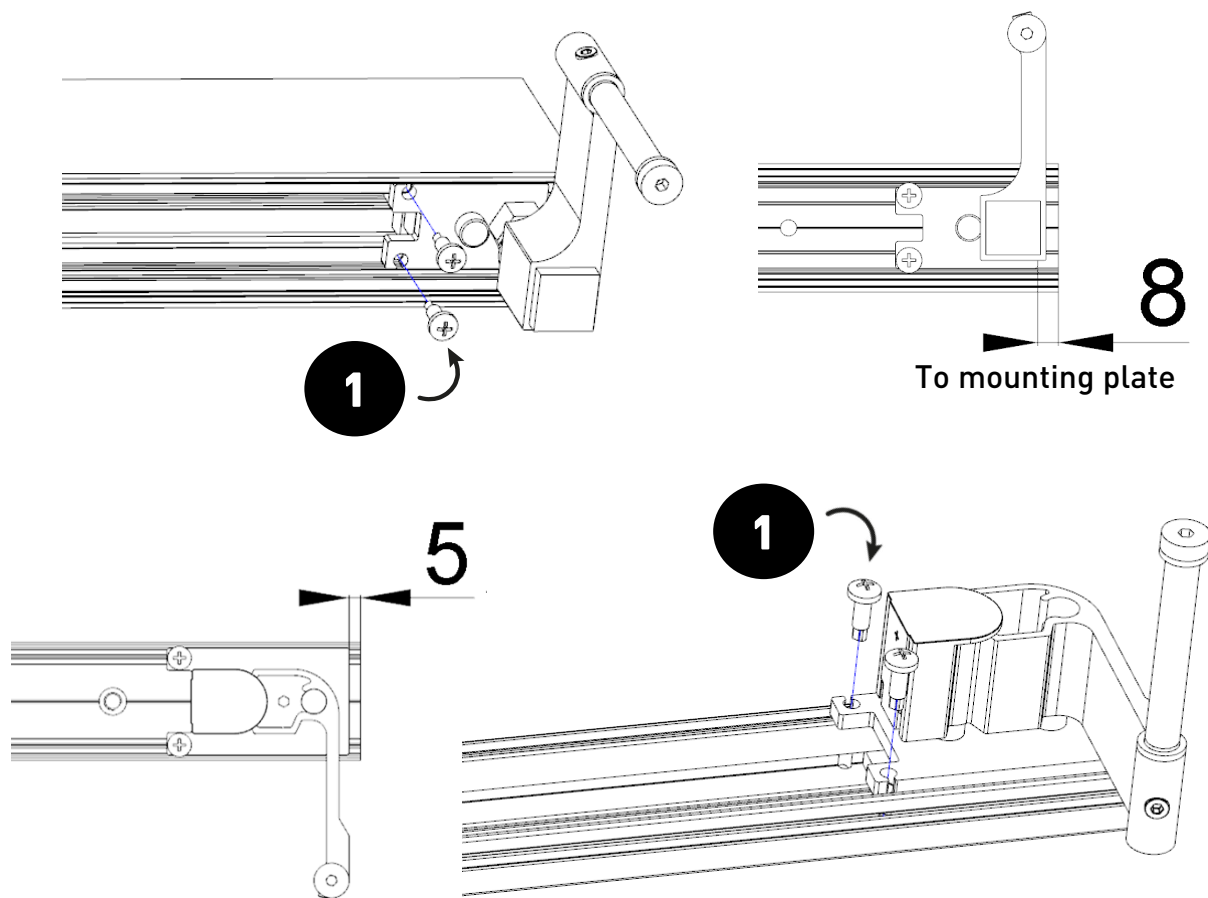
G0000227	x4	1
----------	----	---



First pre-drill with  $\varnothing 4$  mm through the holes of the mounting plate



**Attention:**  
 Fix the pivots at the indicated distance from the rail (panel 15mm from rail end)



# 10

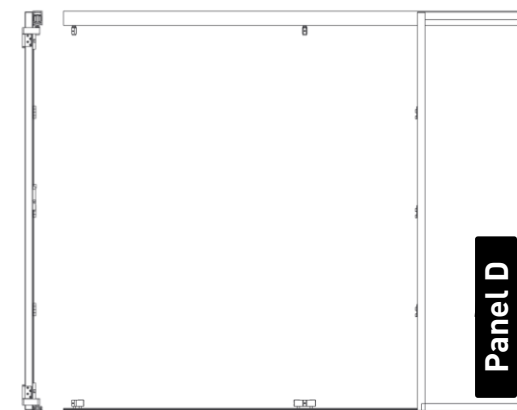
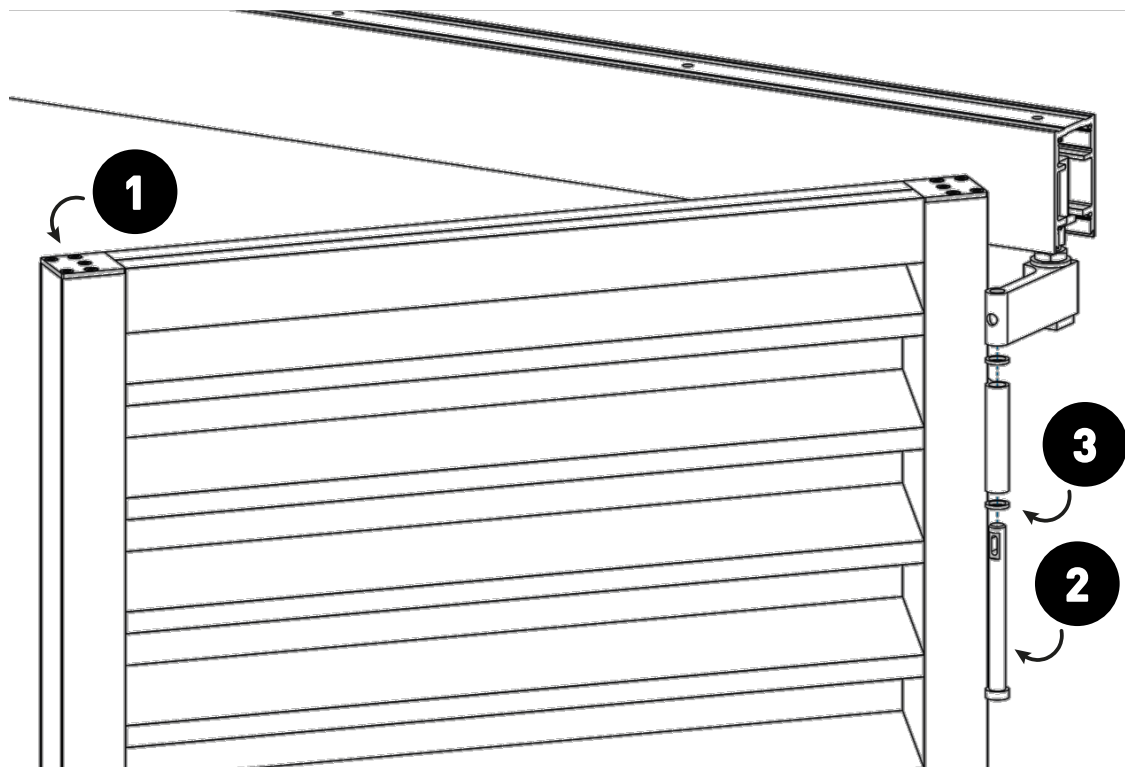
## Quadrafold installation right

4.



Parts :

Panel D	x1	1
G0004610	x1	2
G0004609	x1	3

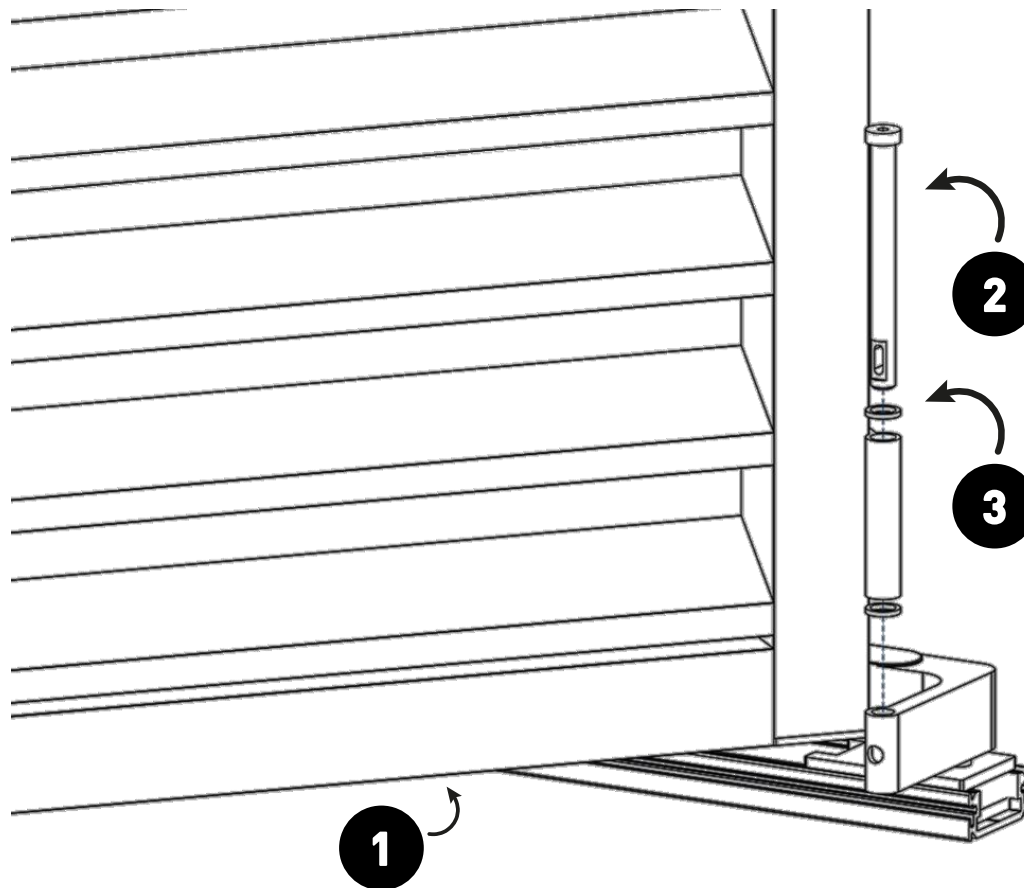




# 10

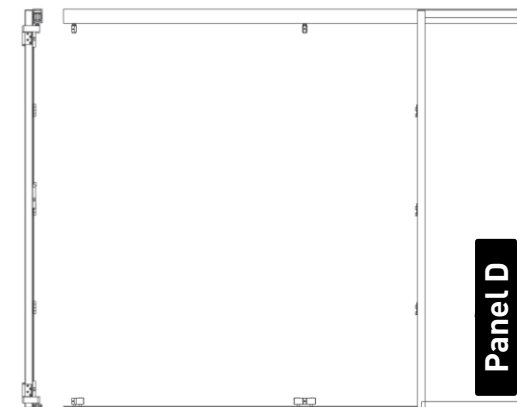
## Quadrafold installation right

5.



Parts :

Panel D	x1	1
G0004610	x1	2
G0004609	x1	3

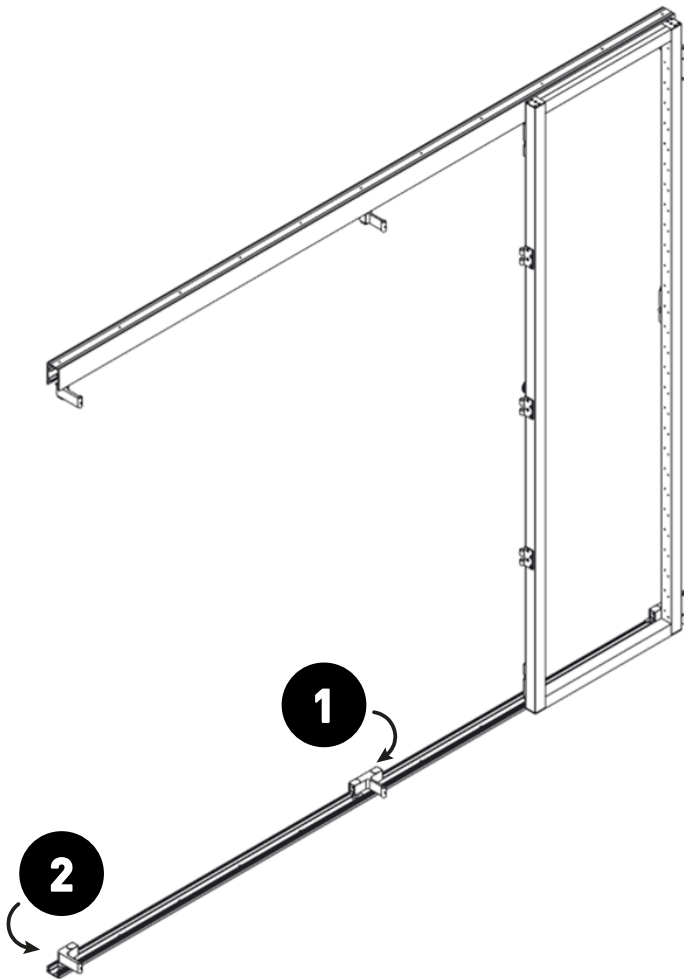




# 10

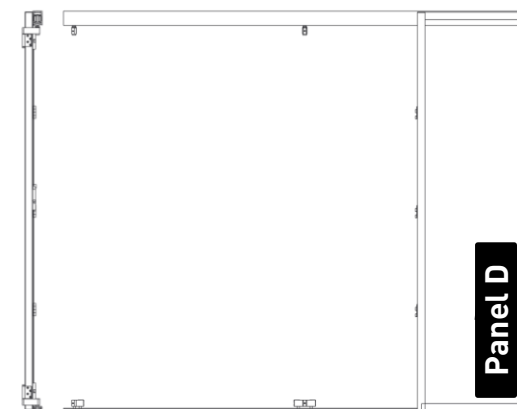
## Quadrafold installation right

6.

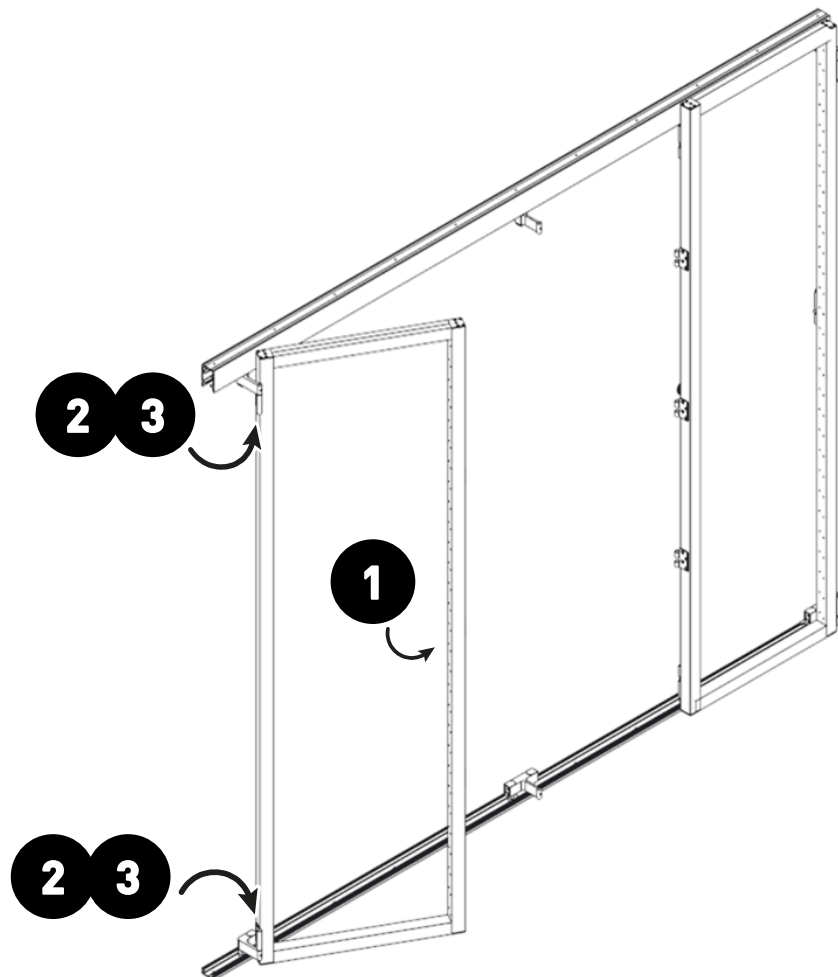


Parts :

G0004613	x1	1
G0004616	x1	2

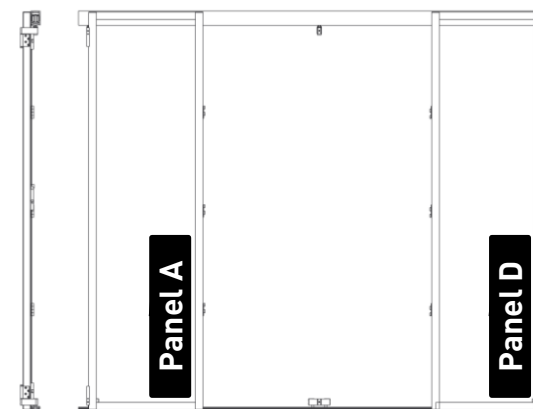


7.

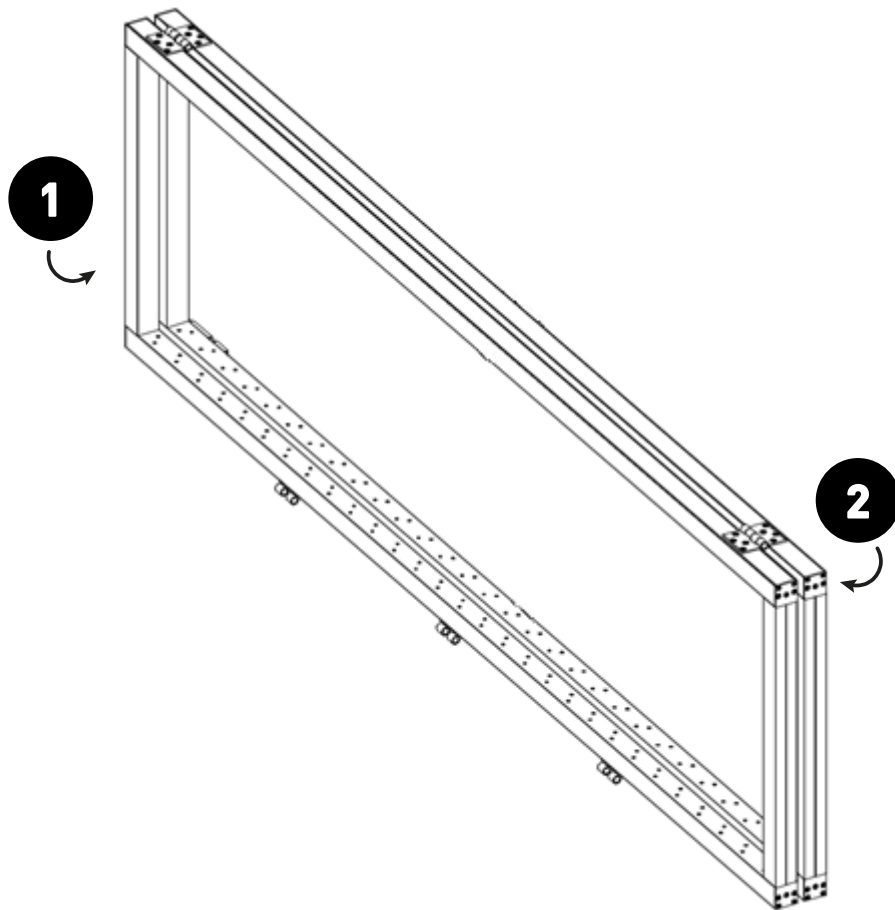


Parts :

Panel A	x1	1
G0004610	x2	2
G0004609	x4	3



8.



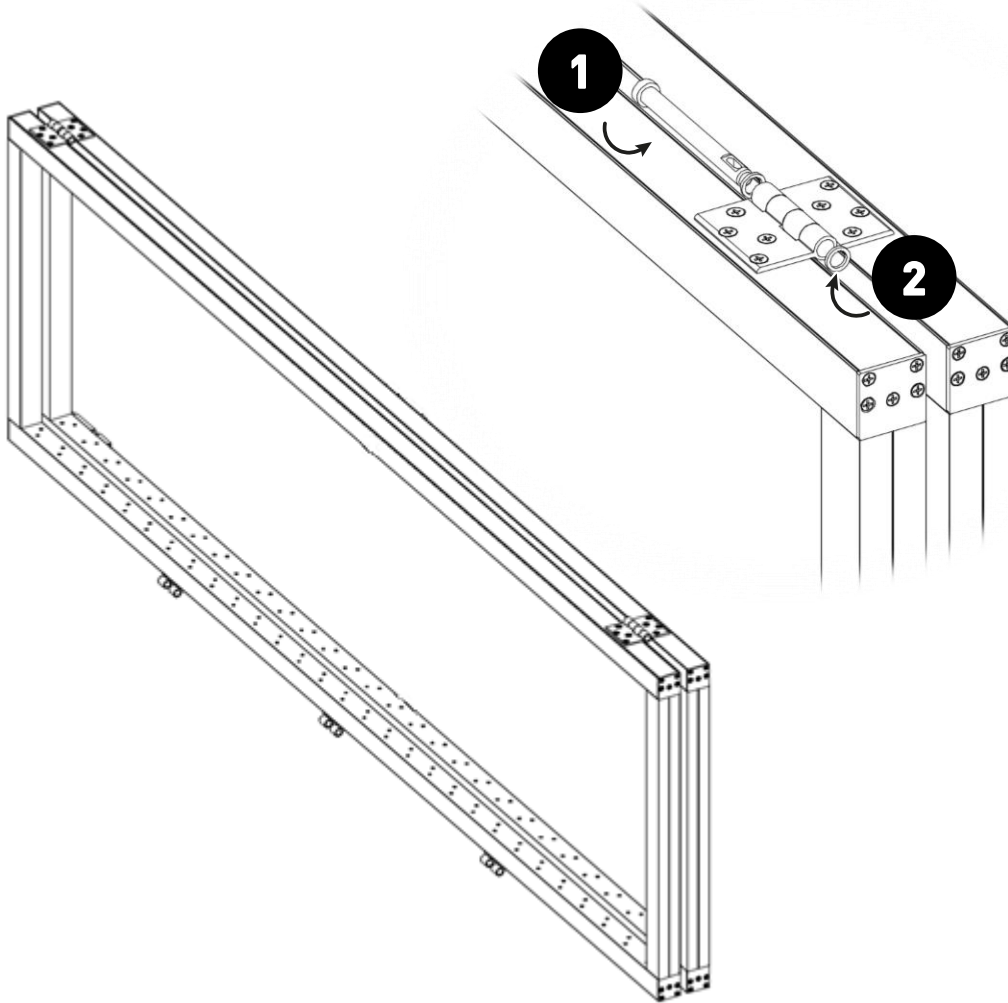
Parts :

Panel B	x1	1
Panel C	x1	2

# 10

## Quadrafold installation right

9.



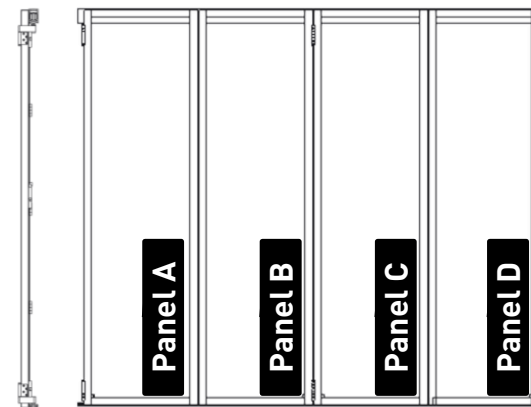
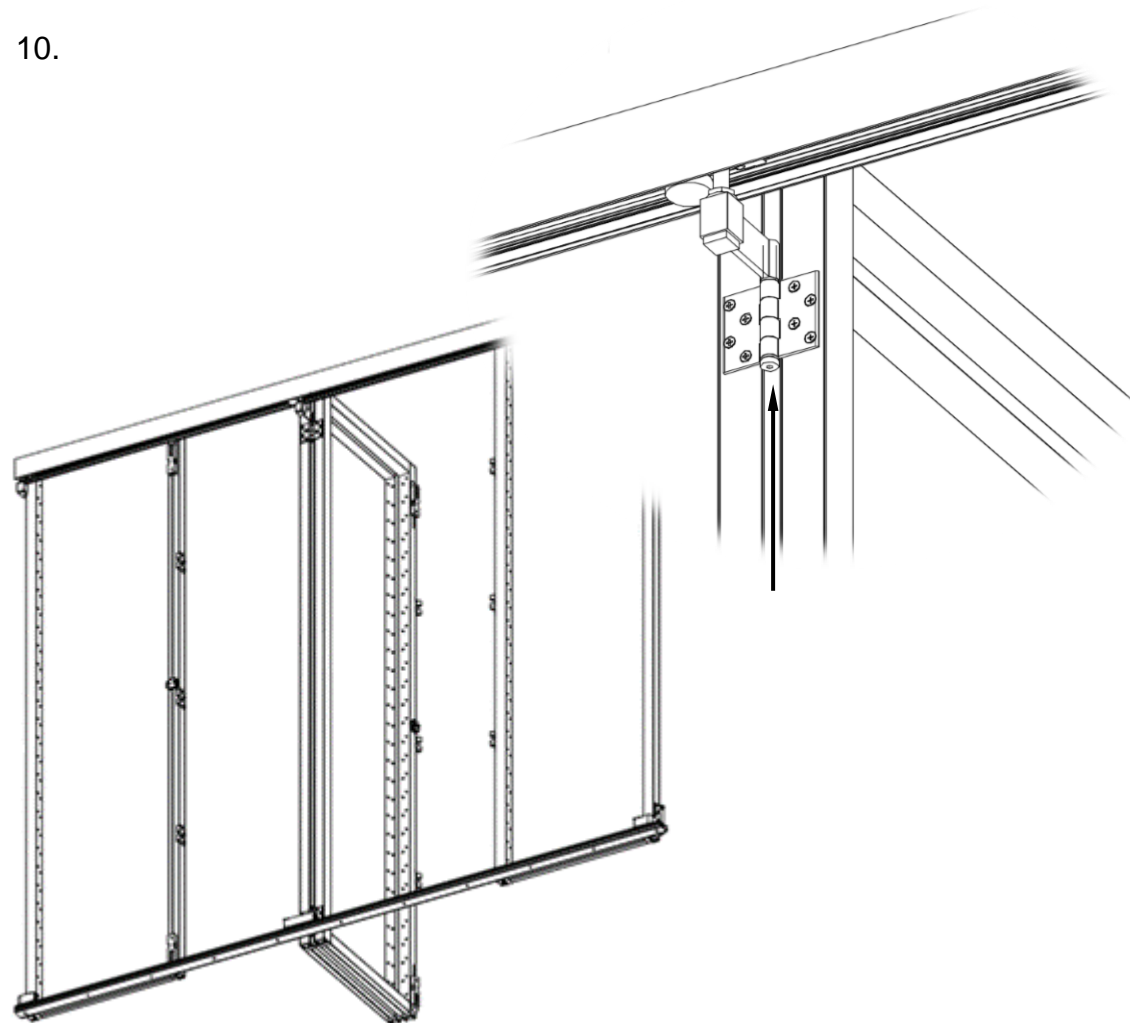
Parts :

G0004610	x2	1
G0004609	x4	2

# 10

## Quadrafold installation right

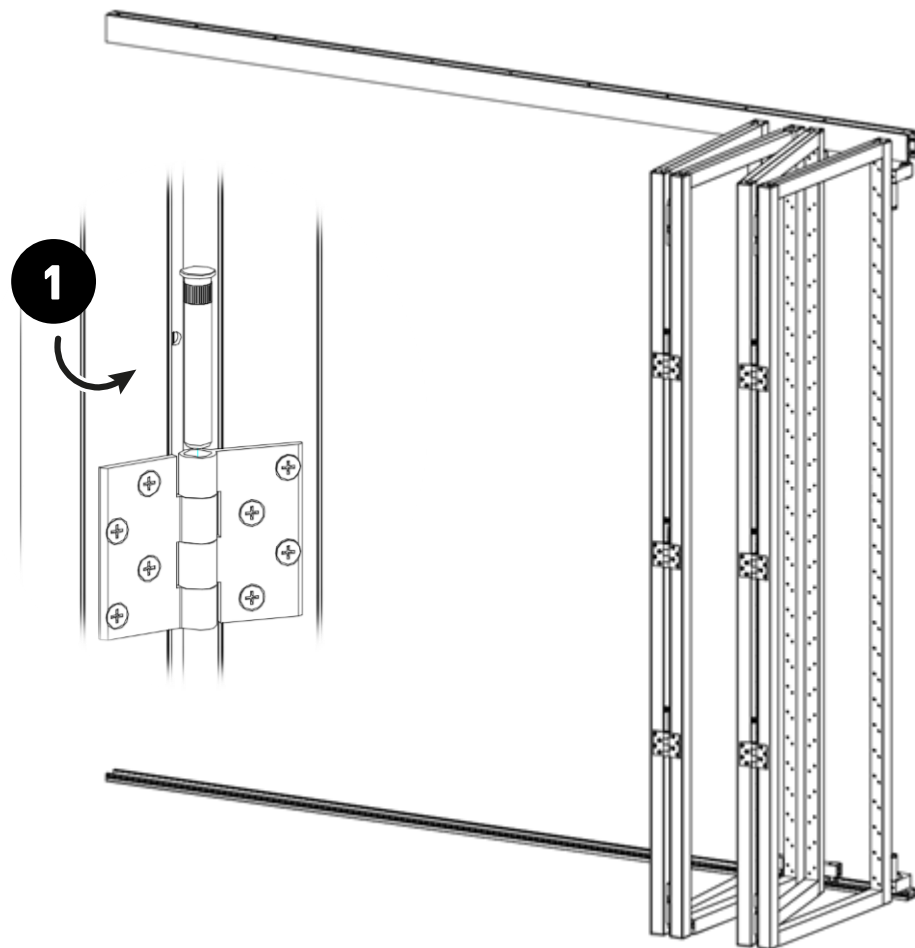
10.



# 10

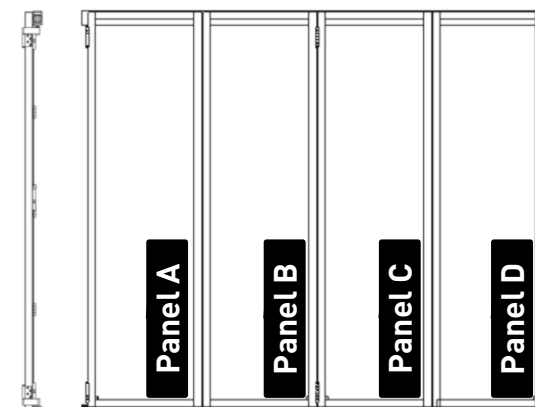
## Quadrafold installation right

11.



Parts :

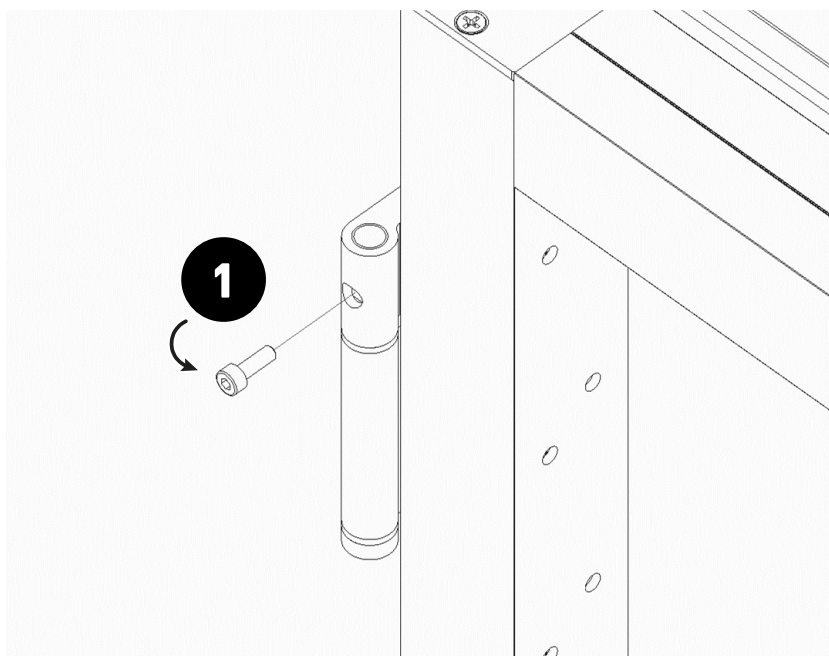
G0004608	x number of hinges	1
----------	--------------------	---



# 10

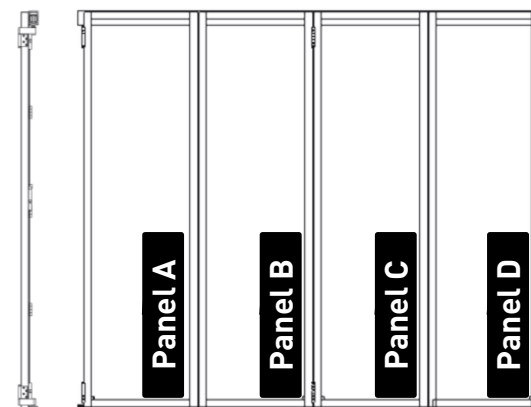
## Quadrafold installation right

12. Secure each trolley

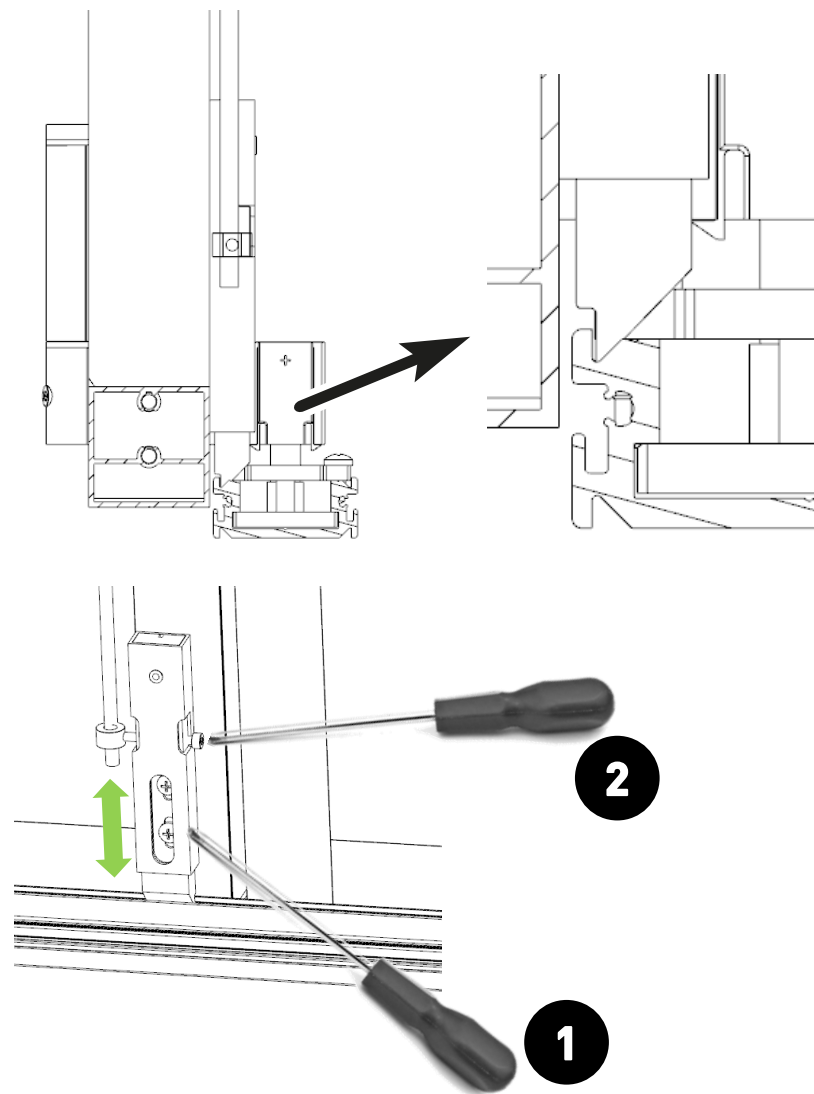


Parts :

G0004620	x6	1
----------	----	---



# 11 Adjusting lock



1. Both top and bottom : Loosen the 3 screws (2 cross / 1 hex)
2. Adjust the position of the latch so that it fully engages the slot of the bottom rail.
3. Tighten the 3 screws, first the 2 screws of the latch then the screw of the rod.